

ADDENDUM NO. 2

2019 GULF BROOK CHANNEL RESTORATION PROJECT PHASE 2

TOWN OF KEENE – ESSEX COUNTY, NEW YORK

JULY 3, 2019

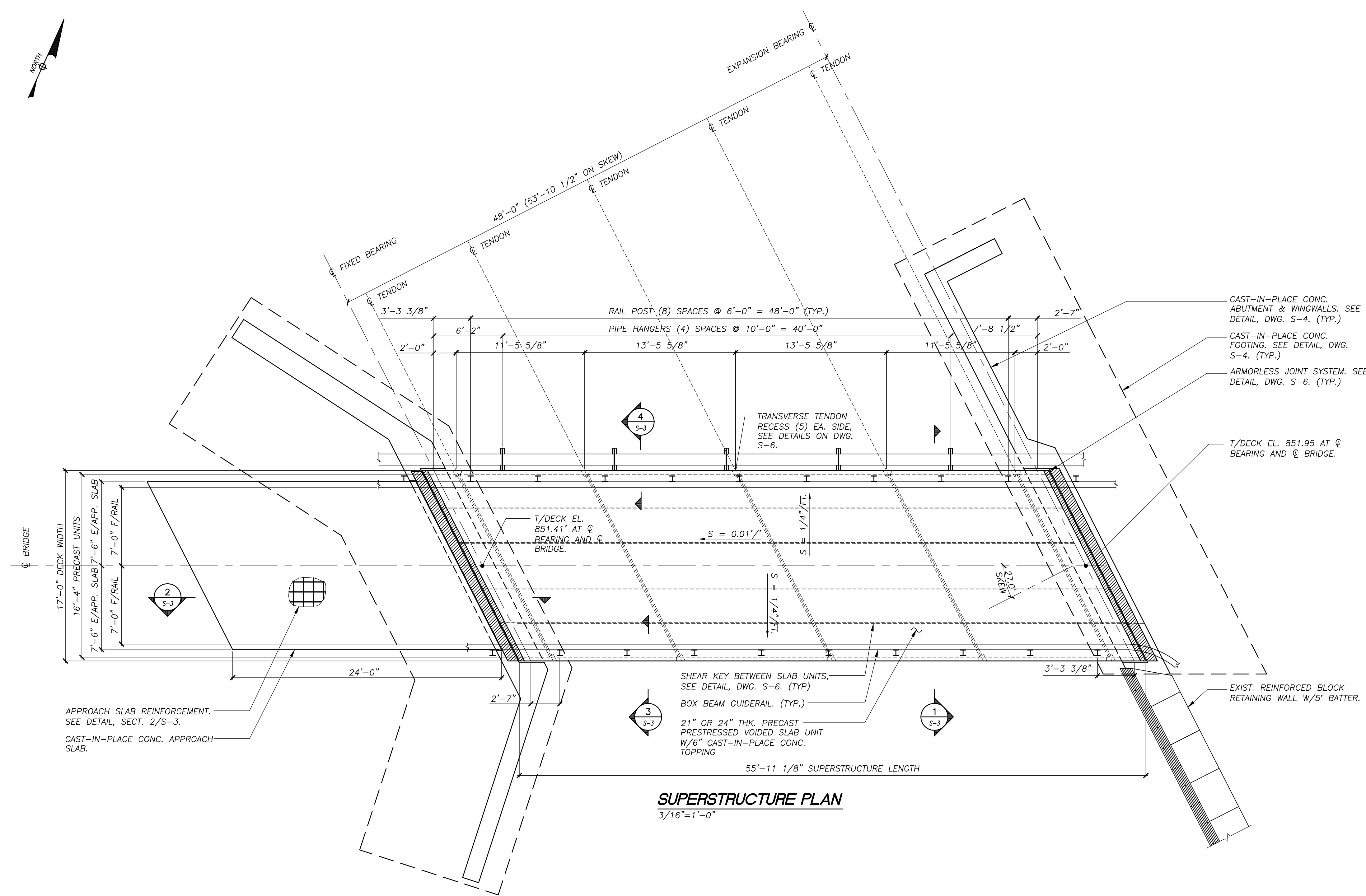
TO ALL HOLDERS OF BIDDING DOCUMENTS:

This Addendum, issued to bid document holders of record, provides clarifications and additional information to the bid documents for the 2019 Gulf Brook Channel Restoration Project Phase 2 project. All information provided herein shall be incorporated into the Contractor's bid proposal and become part of the Contract Documents (a.k.a., The Project Manual). Adjustments required by each item shall be understood to apply to all document references affected by the clarifications described.

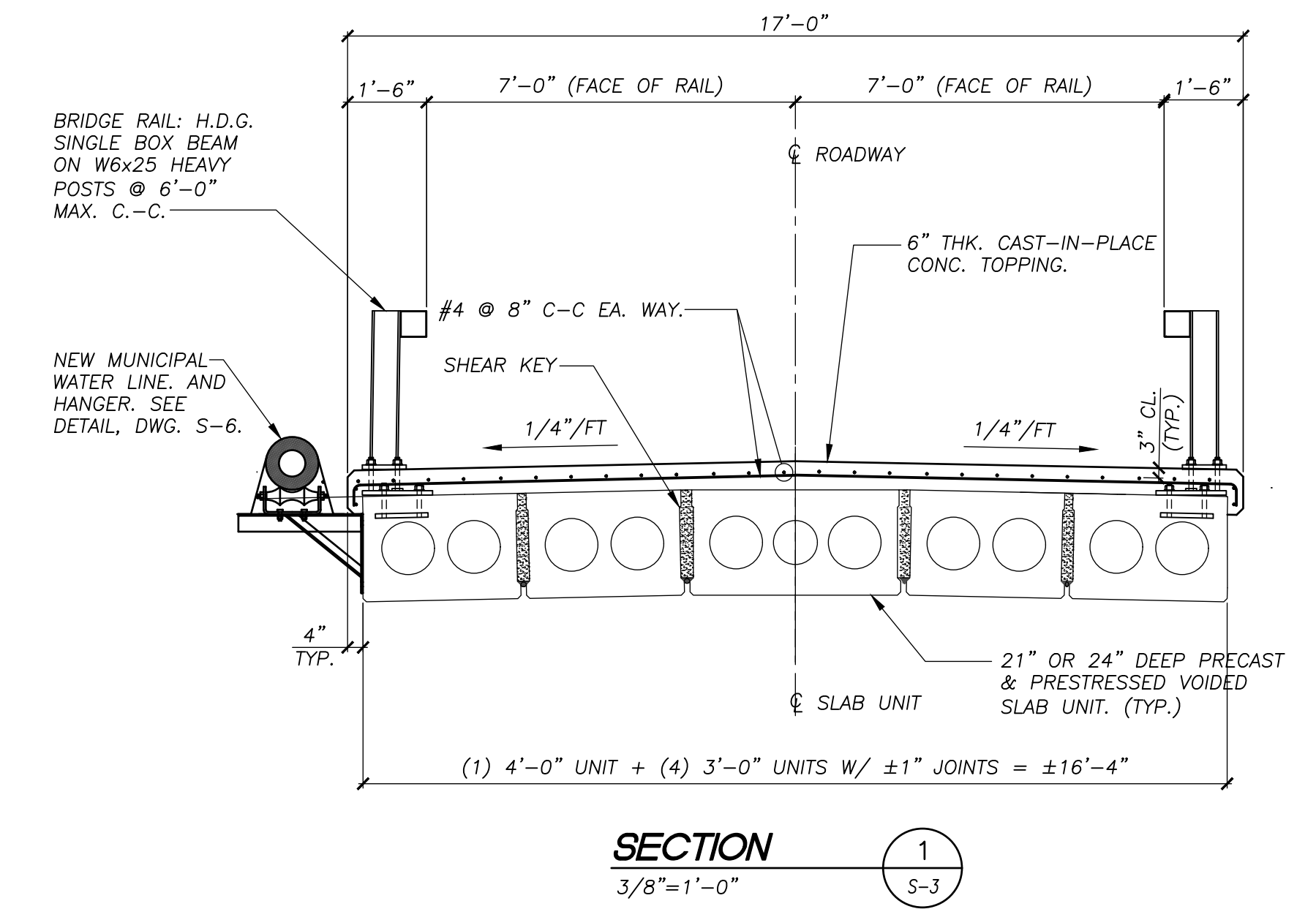
1. **Prevailing Wage Rates:** Updated federal and New York State prevailing wage rate reports are provided attached to this Addendum.
2. **Question from Prospective Bidders: Several Prospective Bidders have asked for clarification regarding the September 30, 2019 deadline for substantial completion of the Bucks Lane bridge identified in the Pre-Bid Meeting Minutes and have asked if the schedule for the bridge construction could be moved to 2020 construction season, to commence just after the stream restriction date.** The date identified in the Pre-Bid Meeting Minutes for substantial bridge completion is in error. Per the Project Manual, the bridge shall be substantially complete 120 days following issuing a Notice-to-Proceed. An extension to this deadline may be considered; however, shifting the schedule for the bridge construction to the 2020 construction season is not being considered.
3. **Question from Prospective Bidders: "Please consider postponing the bid due date by two weeks, as the amount of time to prepare bids is shorter than normal for a project of this scope and many subcontractors and suppliers will be closed July 4 and 5."** Bids are due July 11, 2019 and an extension is not currently being considered.
4. **Question from Prospective Bidders: "The temporary bridge details indicate a temporary water service main adjacent to the bridge. Is this intended to be supported on the bridge? If so, it should probably be the responsibility of whoever is installing the bridge, and they would need to know the size/weight of the main."** The temporary water main is intended to be supported by the bridge. It will serve four (4) private residences and can consist of a 2" fire hose that will have a maximum dead weight of less than 5 lbs./ft.
5. **Question from Prospective Bidder: "Going over the plans their very little information about the over all length of the beams. On page 26 of the Addendum_1 it calls out the bearing section as 48'-0". Then on page 27 it calls out again the 48'-0" (53' – 10 ½" on skew). But there is no over all length of the**

prestressed unit or the skew of the beams." Can the engineer provide clarification?" This dimension has been added to a revised sheet S-3 (Rev 2) that is attached to this Addendum.

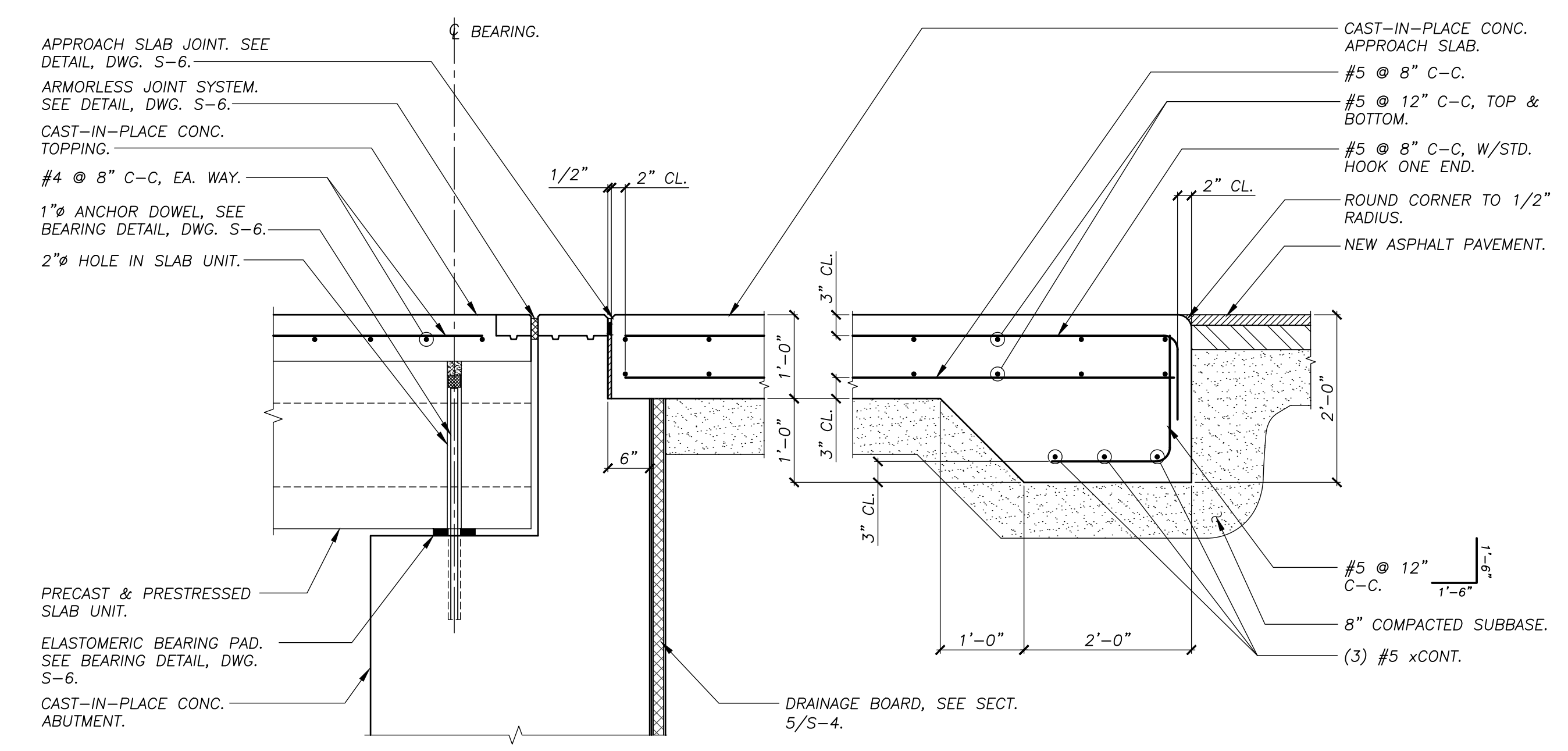
Attachments: Sheet S-3 (Rev 2)
Federal Prevailing Wage Report
NYS Prevailing Wage Report



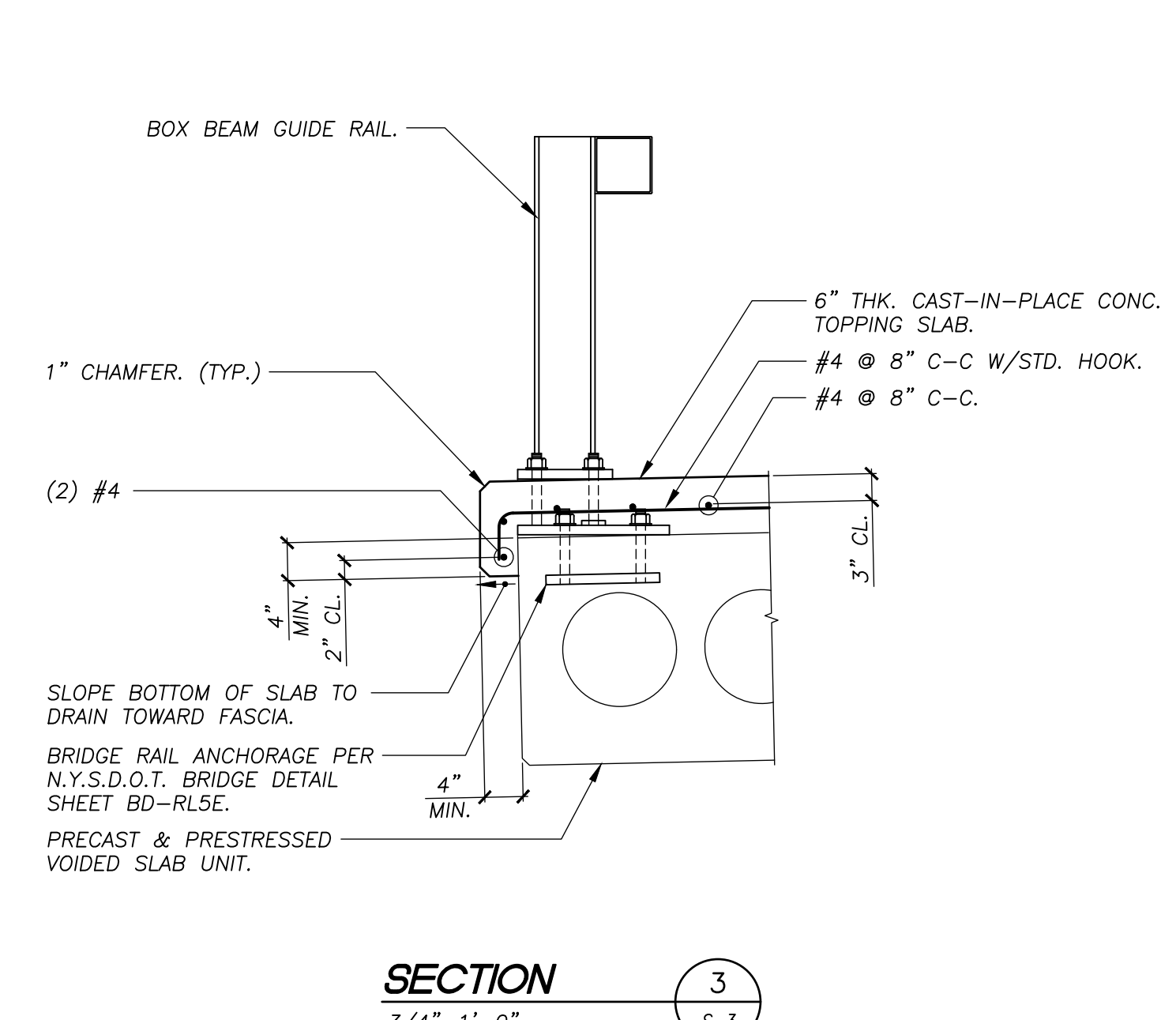
SUPERSTRUCTURE PLAN
3/16"=1'-0"



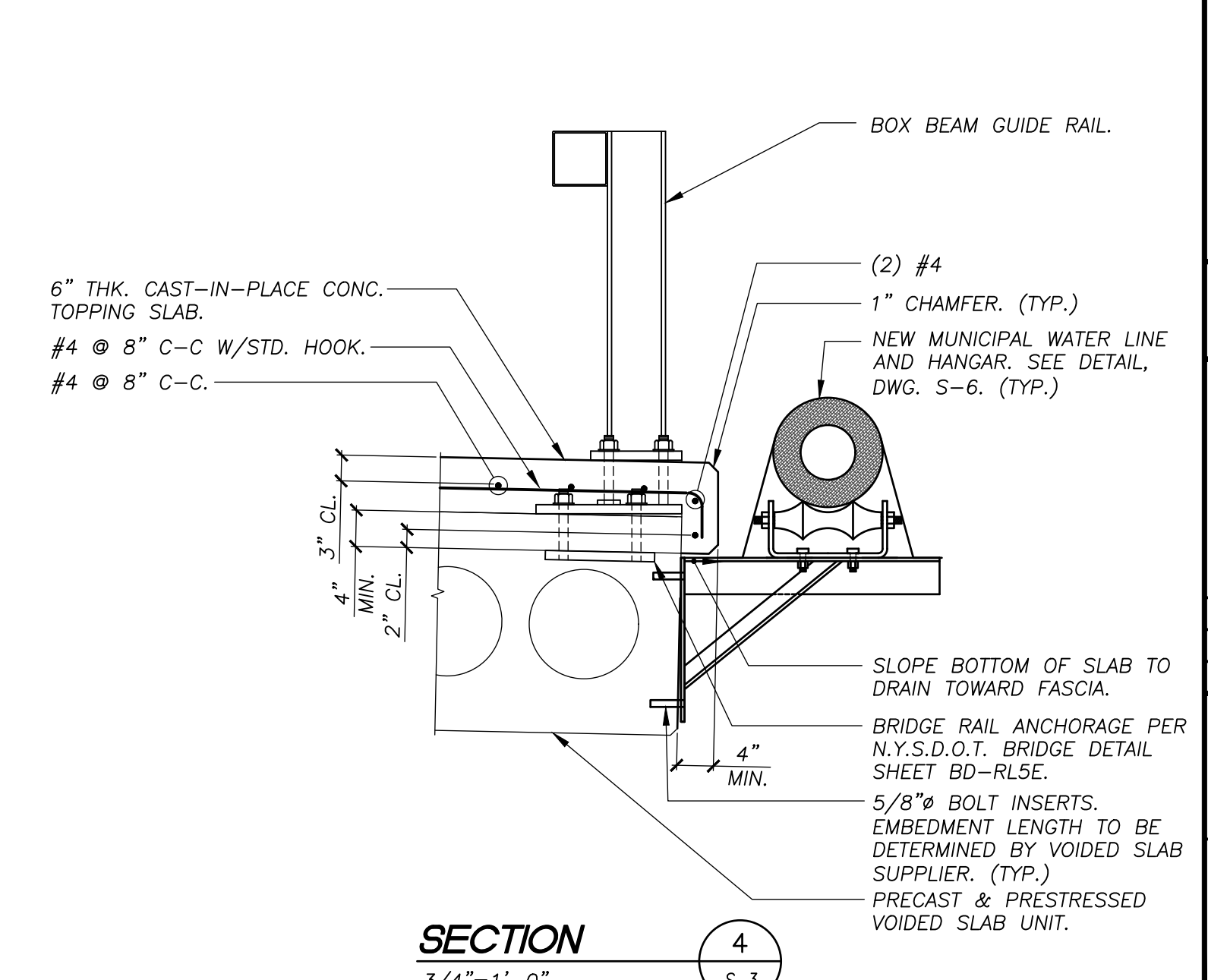
SECTION 1
3/8"=1'-0"



SECTION 2
3/4"=1'-0"

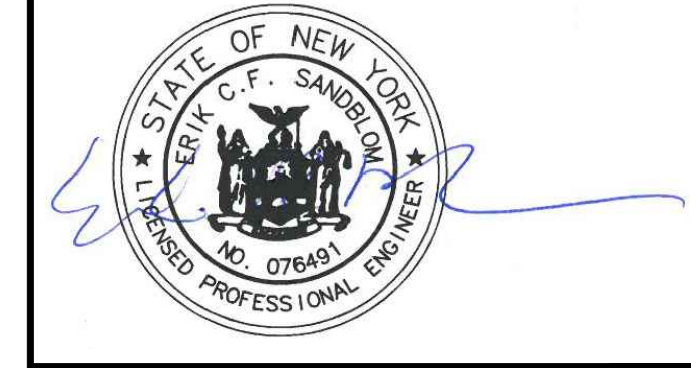


SECTION 3
3/4"=1'-0"



SECTION 4
3/4"=1'-0"

REV.	DATE	REVISIONS DESCRIPTION
0	6/11/2019	ISSUED FOR BID
1	6/27/2019	DESIGN REVISIONS
2	7/2/2019	ADDED DIMENSIONS



UNAUTHORIZED ALTERATION OR ADDITION TO THIS DOCUMENT IS A VIOLATION OF SECTION 7209 SUBDIVISION 2 OF THE NEW YORK STATE EDUCATION LAW.

SCHODER RIVERS ASSOCIATES
Consulting Engineers, P.C.
Evergreen Professional Park
453 Dixon Road, Suite 7, Bldg. 3
Queensbury, New York 12804
(518) 761-0417, FAX: (518) 761-0513

SCALE: AS SHOWN DRAWN BY: KAS/SRA
DATE: 6/27/2019 ENG. BY: KAS/SRA
PROJ. NO: 15-881 CHK'D BY: ES

CLIENT NAME
ESSEX COUNTY COMMUNITY RESOURCES
Elizabethtown, N.Y.

DRAWING TITLE
KEENE, NY GULF BROOK CHANNEL RESTORATION PHASE II BUCKS LANE BRIDGE SUPERSTRUCTURE PLAN & SECTIONS

DRAWING NO. **S-3** SHT. 21 OF 25
REV. 1

"General Decision Number: NY20190006 06/14/2019

Superseded General Decision Number: NY20180006

State: New York

Construction Types: Heavy and Highway

Counties: Clinton and Essex Counties in New York.

BUILDING CONSTRUCTION PROJECTS (does not include single family homes and apartments up to and including 4 stories), HEAVY AND HIGHWAY CONSTRUCTION PROJECTS

Note: Under Executive Order (EO) 13658, an hourly minimum wage of \$10.60 for calendar year 2019 applies to all contracts subject to the Davis-Bacon Act for which the contract is awarded (and any solicitation was issued) on or after January 1, 2015. If this contract is covered by the EO, the contractor must pay all workers in any classification listed on this wage determination at least \$10.60 per hour (or the applicable wage rate listed on this wage determination, if it is higher) for all hours spent performing on the contract in calendar year 2019. If this contract is covered by the EO and a classification considered necessary for performance of work on the contract does not appear on this wage determination, the contractor must pay workers in that classification at least the wage rate determined through the conformance process set forth in 29 CFR 5.5(a)(1)(ii) (or the EO minimum wage rate, if it is higher than the conformed wage rate). The EO minimum wage rate will be adjusted annually. Please note that this EO applies to the above-mentioned types of contracts entered into by the federal government that are subject to the Davis-Bacon Act

itself, but it does not apply to contracts subject only to the Davis-Bacon Related Acts, including those set forth at 29 CFR 5.1(a)(2)-(60). Additional information on contractor requirements and worker protections under the EO is available at www.dol.gov/whd/govcontracts.

Modification Number	Publication Date
0	01/04/2019
1	03/01/2019
2	06/14/2019

BRNY0002-013 06/01/2018

	Rates	Fringes
CEMENT MASON/CONCRETE FINISHER...	\$ 37.23	19.51+a

FOOTNOTE:

a. PAID HOLIDAYS: Memorial Day, July the 4th, Labor Day, and Thanksgiving Day (provided the employee is employed (1) day before and (1) day after the holiday.

CARP0291-006 07/01/2018

	Rates	Fringes
CARPENTER		
HEAVY & HIGHWAY CONSTRUCTION		
Carpenter.....	\$ 31.48	21.15
Pile Driver.....	\$ 31.48	21.15

* ELEC0910-001 05/01/2019

	Rates	Fringes
ELECTRICIAN.....	\$ 35.00	5.75%+20.68

 ELEC1249-003 05/07/2018

	Rates	Fringes
ELECTRICIAN (LINE CONSTRUCTION: LIGHTING AND TRAFFIC SIGNAL Including any and all Fiber Optic Cable necessary for Traffic Signal Systems, Traffic Monitoring systems and Road Weather information systems)		
Flagman.....	\$ 26.28	6.75%+23.40+a
Groundman (Truck Driver)....	\$ 35.04	6.75%+23.40+a
Groundman Truck Driver (tractor trailer unit).....	\$ 37.23	6.75%+23.40+a
Lineman & Technician.....	\$ 43.80	6.75%+23.40+a
Mechanic.....	\$ 35.04	6.75%+23.40+a

FOOTNOTE:

a. New Year's Day, Memorial Day, Independence Day, Labor Day, Thanksgiving Day, Christmas Day, plus President's Day, Good Friday, Decoration Day, Election Day for the President of the United States and Election Day for the Governor of the State of New York, provided the employee works the day before or the day after the holiday.

 ELEC1249-004 05/07/2018

Rates	Fringes
-------	---------

ELECTRICIAN (Line

Construction)

Overhead and underground
distribution and
maintenance work and all
overhead and underground
transmission line work
including any and all
fiber optic ground wire,
fiber optic shield wire or
any other like product by
any other name
manufactured for the dual
purpose of ground fault
protection and fiber optic
capabilities :

Flagman.....	\$ 30.36	6.75%+23.40+a
Groundman digging machine operator.....	\$ 45.54	6.75%+23.40+a
Groundman truck driver (tractor trailer unit).....	\$ 43.01	6.75%+23.40+a
Groundman Truck driver.....	\$ 40.48	6.75%+23.40+a
Lineman and Technician.....	\$ 50.60	6.75%+23.40+a
Mechanic.....	\$ 40.48	6.75%+23.40+a

Substation:

Cable Splicer.....	\$ 55.66	6.75%+23.40+a
Flagman.....	\$ 30.36	6.75%+23.40+a
Ground man truck driver....	\$ 40.48	6.75%+23.40+a
Groundman digging machine operator.....	\$ 45.54	6.75%+23.40+a
Groundman truck driver (tractor trailer unit).....	\$ 43.01	6.75%+23.40+a
Lineman & Technician.....	\$ 50.60	6.75%+23.40+a
Mechanic.....	\$ 40.48	6.75%+23.40+a

Switching structures;
railroad catenary
installation and

maintenance, third rail
type underground fluid or
gas filled transmission
conduit and cable
installations (including
any and all fiber optic
ground product by any
other name manufactured
for the dual purpose of
ground fault protection
and fiber optic
capabilities), pipetype
cable installation and
maintenance jobs or
projects, and maintenance
bonding of rails; Pipetype
cable installation

Cable Splicer.....	\$ 57.11	6.75%+23.40+a
Flagman.....	\$ 31.15	6.75%+23.40
Groundman Digging Machine Operator.....	\$ 46.73	6.75%+23.40+a
Groundman Truck Driver (tractor-trailer unit).....	\$ 44.13	6.75%+23.40+a
Groundman Truck Driver.....	\$ 44.13	6.75%+23.40+a
Lineman & Technician.....	\$ 51.92	6.75%+23.40+a
Mechanic.....	\$ 41.54	6.75%+23.40+a

FOOTNOTE:

a. PAID HOLIDAYS: New Year's Day, Presidents' Day, Memorial Day, Good Friday, Independence Day, Labor Day, Thanksgiving Day, Christmas Day, and Election Day for the President of the United States and Election Day for the Governor of New York State, provided the employee works two days before or two days after the holiday.

* ELEC1249-008 01/01/2019

	Rates	Fringes
ELECTRICIAN (Line Construction)		
TELEPHONE, CATV		
FIBEROPTICS CABLE AND EQUIPMENT		
Cable splicer.....	\$ 32.78	3%+4.93
Groundman.....	\$ 16.49	3%+4.93
Installer Repairman-Teledata		
Lineman/Technician-Equipment Operator.....		
	\$ 31.12	3%+4.93
Tree Trimmer.....	\$ 25.79	3%+9.98+a

a. New Year's Day, President's Day, Good Friday, Decoration Day, Independence Day, Labor Day, Veteran's Day, Thanksgiving Day, Day after Thanksgiving, Christmas Day.

ENGI0106-001 07/01/2018

HEAVY & HIGHWAY

	Rates	Fringes
Power equipment operators:		
GROUP 1.....	\$ 43.47	26.05+a
GROUP 2.....	\$ 42.56	26.05+a
GROUP 3.....	\$ 39.99	26.05+a
GROUP 4.....	\$ 47.47	26.05+a
GROUP 5.....	\$ 46.47	26.05+a
GROUP 6.....	\$ 45.47	26.05+a
GROUP 7.....	\$ 45.08	26.05+a

POWER EQUIPMENT OPERATOR CLASSIFICATIONS (HEAVY & HIGHWAY):

GROUP 1: Asphalt Curb Machine, Self Propelled, Slipform, Automated Concrete Spreader (CMI Type), Automatic Fine Grader, Backhoe (Except Tractor Mounted, Rubber Tired), Backhoe Excavator Full Swing (CAT 212 or similar type), Back Filling Machine, Belt Placer (CMI Type), Blacktop Plant (Automated), Boom truck , Cableway, Caisson Auger, Central Mix Concrete Plant (Automated), Concrete Curb Machine, Self Propelled, Slipform, Concrete Pump, Crane, Cherry Picker, Derricks (steel erection), Dragline, Overhead Crane (Gantry or Straddle type), Pile Driver, Truck Crane, Directional Drilling Machine, Dredge, Dual Drum Paver, Excavator (All Purpose Hydraulically Operated) (Gradall or Similar), Front End Loader (4 cu. yd. and Over), Head Tower (Sauerman or Equal), Hoist (Two or Three Drum), Holland Loader, Maintenance Engineer, Mine Hoist, Mucking Machine or Mole Pavement Breaker(SP) Wertgen; PB-4 and similar type, Power Grader, Profiler (over 105 H.P.) Quad 9, Quarry Master (or equivalent), Scraper, Fireman, Form Tamper, Grout Pump, Gunite Machine, Hammers (Hydraulic self-propelled), Hydra-Spiker, ride-on, Hydraulic Pump (jacking system), Hydro-Blaster (Water), Mulching Machine, Oiler, Parapet Concrete or Pavement, Shovel, Side Boom, Slip Form Paver, Tractor Drawn, BeltType Loader, Truck or Trailer Mounted Log , Chipper (Self Feeder), Tug Operator (Manned Rented Equipment Excluded), Tunnel Shovel

GROUP 2: Asphalt Paver, Backhoe (Tractor Mounted, Rubber Tired), Bituminous Recycler Machine, Bituminous Spreader and Mixer, Blacktop Plant (NonAutomated), Blast or Rotary Drill (Truck or Tractor Mounted), Boring Machine, Cage Hoist, Central Mix Plant (NonAutomated) and All Concrete Batching Plants, Cherry Picker (5 tons capacity and under), Concrete Paver (Over 16S), Crawler Drill, Self-contained, Crusher, Diesel Power Unit, Drill Rigs, Tractor Mounted, Front End Loader (Under 4 cu. yd.), Greaseman/Lubrication

Engineer, HiPressure Boiler (15 lbs. and over), Hoist (One Drum), Hydro-Axe, Kolman Plant Loader and Similar Type Loaders, L.C.M. Work Boat Operator, Locomotive Mixer (for stabilized base selfpropelled), Monorail Machine, Plant Engineer, Profiler (105 H.P. and under), Grinder, Post Hole Digger and Post Driver, Power Broom (towed), Power Heaterman, Power Sweeper, Revinus Widener, Roller (Grade and Fill), Scarifier, ride-on, Shell Winder, Skid steer loader (Bobcat or similar), Span-Saw, ride-on, Steam Cleaner, Pug Mill, Pump Crete Ready Mix Concrete Plant Refrigeration Equipment (for soil stabilization)Road Widener, Roller (all above subgrade), Sea Mule, Self-contained Ride-on Rock Drill, Excluding Air-Track Type Drill, Skidder, Tractor with Dozer and/or Pusher, Trencher. Tugger Hoist, Vermeer saw (ride on, any size or type), Winch, Winch Cat

GROUP 3: A Frame Winch Hoist on Truck , Articulated Heavy Hauler, Aggregate Plant, Asphalt or Concrete Grooving, Machine (ride on), Ballast Regulator, Ride-on Boiler (used in conjunction with production), Bituminous Heater, self-propelled, Boat (powered), Cement and Bin Operator, Compressors, Dust Collectors, Fork Lift, Generators, Pumps, Welding Machines, Light Plants, Heaters (hands-off equipment), Concrete Pavement Spreader and Finisher, Concrete Paver or Mixer (16S and under), Concrete Saw (self-propelled), Conveyor, Deck Hand, Directional Drill Machine Locator, Drill, (Core), Drill, (Well,) Farm Tractor with accessories, Fine Grade Machine, Tamper, ride-on, Tie Extractor, ride-on, Tie Handler, ride-on, Tie Inserter, ride-on, Tie Spacer, ride-on, Tire Repair, Track Liner, ride-on, Tractor, Tractor (with towed accessories), Vibratory Compactor, Vibro Tamp, Well Point

GROUP 4: Tower Cranes

GROUP 5: Cranes 50 tons and over

GROUP 6: Cranes 49 tons and below

GROUP 7: Master Mechanic

FOOTNOTE:

a. PAID HOLIDAYS: New Year's Day, Memorial Day, Independence Day, Labor Day, Thanksgiving Day, and Christmas Day

IRON0012-002 07/01/2018

	Rates	Fringes
Ironworkers:		
SHEETER.....	\$ 31.25	24.43
STRUCTURAL, ORNAMENTAL, MACHINERY MOVER & RIGGERS, FENCE ERECTOR, REINFORCING, STONE DERRICKMAN, WELDER.....	\$ 31.00	24.43

LABO1822-001 07/01/2018

HEAVY & HIGHWAY

	Rates	Fringes
Laborers:		
GROUP 1.....	\$ 25.67	23.75+a
GROUP 2.....	\$ 25.47	23.75+a
GROUP 3.....	\$ 25.87	23.75+a
GROUP 4.....	\$ 26.07	23.75+a
GROUP 5.....	\$ 27.67	23.75+a

LABORERS CLASSIFICATIONS (HEAVY & HIGHWAY)

GROUP 1. Basic Rate, Flagman Outboard and Hand Boats.

GROUP 2. Bull Float, Chain Saw, Concrete Aggregate Bin, Concrete Bootman, Gin Buggy, Hand or Machine Vibrator, Jack Hammer, Mason Tender, Mortar Mixer Paverment Breaker, Handlers of all Steel Mesh, Small Generators of Laborers' tools, installation of bridge drainage pipe, Pipe Layers, Vibrator type rollers, tamper, Drill doctor, tail or screw operator on asphalt paver, water pump operator (1 1/2" and single diaphragm) nozzle (asphalt, gunite, seeding and sand blasting), Laborers on chain link fence erection, Rock splitter and power unit, pusher type concrete saw and all other gas, electric, oil and air tool operators, Wrecking Labor.

GROUP 3. All rock or drilling machine operators (except quarry master and similar type) Acetylene Torch operator, asphalt raker, powderman.

GROUP 4. Blaster, form setters, stone or granite curb setters.

GROUP 5. Hazardous Waste, Asbestos Abatement and Removal.

FOOTNOTE:

a. PAID HOLIDAYS: New Year's Day, Memorial Day, Independence Day, Labor Day, Thanksgiving Day and Christmas Day.

PAIN0201-002 05/01/2017

Rates Fringes

Painters:

Zone #2 All of ESSEX COUNTY
Lead Abatement Workers,

Structural Steel.....\$ 30.00	13.89
Painters, Drywall	
Finishers, Spray.....\$ 29.00	13.89
Zone #3 All of CLINTON	
COUNTY	
Lead Abatement Workers,	
Structural Steel.....\$ 28.14	14.55
Painters, Drywall	
Finishers, Spray.....\$ 27.14	14.55

PAIN0806-003 10/01/2018

CLINTON AND ESSEX COUNTIES

	Rates	Fringes
Painters:		
Structural Steel and Bridge.\$ 49.50	41.88	

PLUM0773-001 05/01/2018

	Rates	Fringes
Plumber and Steamfitter		
CLINTON COUNTY.....\$ 37.00	29.83	
ESSEX COUNTY.....\$ 38.00	29.83	

SHEE0083-001 06/01/2018

	Rates	Fringes
Sheet metal worker.....\$ 33.12	31.78+a	

FOOTNOTE:

a. PAID HOLIDAYS: New Year's Day, Memorial Day, Independence Day, Labor Day, Thanksgiving Day, Christmas Day. If any of these holidays fall on a Saturday or Sunday, either the

preceding Friday or following Monday will be observed as the holiday.

TEAM0687-003 06/01/2018

	Rates	Fringes
Truck drivers:		
HEAVY & HIGHWAY		
CONSTRUCTION		
GROUP 1:.....	\$ 25.82	25.16+a
GROUP 2:.....	\$ 26.04	25.16+a

FOOTNOTE:

a. PAID HOLIDAYS: New Year's Day, Memorial Day, Independence Day, Labor Day, Thanksgiving Day, Christmas Day, provided the employee has worked the day before and the day after the holiday.

TRUCK DRIVER CLASSIFICATIONS

GROUP 1: Pick-ups, panel trucks, flatboy materials trucks (straight jobs), single axle dump trucks, dumpsters and receivers, greasers, truck tireman, parts chaser, tandems and batch trucks, mechanics, semi trailer, lowboy trucks, asphalt distributor trucks and agitator, mixer trucks and dumpcrete type vehicles, truck mechanic, fuel truck and bus

GROUP 2: Specialized earth moving equipment - euclid type or similar off-highway equipment, where not self-loaded, straddle (ross) carrier, self-contained concrete unit, off highway tandem back dump, twin engine equipment and double hitched equipment where not self loaded

WELDERS - Receive rate prescribed for craft performing operation to which welding is incidental.

=====

Note: Executive Order (EO) 13706, Establishing Paid Sick Leave for Federal Contractors applies to all contracts subject to the Davis-Bacon Act for which the contract is awarded (and any solicitation was issued) on or after January 1, 2017. If this contract is covered by the EO, the contractor must provide employees with 1 hour of paid sick leave for every 30 hours they work, up to 56 hours of paid sick leave each year. Employees must be permitted to use paid sick leave for their own illness, injury or other health-related needs, including preventive care; to assist a family member (or person who is like family to the employee) who is ill, injured, or has other health-related needs, including preventive care; or for reasons resulting from, or to assist a family member (or person who is like family to the employee) who is a victim of, domestic violence, sexual assault, or stalking. Additional information on contractor requirements and worker protections under the EO is available at www.dol.gov/whd/govcontracts.

Unlisted classifications needed for work not included within the scope of the classifications listed may be added after award only as provided in the labor standards contract clauses (29CFR 5.5 (a) (1) (ii)).

The body of each wage determination lists the classification and wage rates that have been found to be prevailing for the cited type(s) of construction in the area covered by the wage determination. The classifications are listed in alphabetical

order of ""identifiers"" that indicate whether the particular rate is a union rate (current union negotiated rate for local), a survey rate (weighted average rate) or a union average rate (weighted union average rate).

Union Rate Identifiers

A four letter classification abbreviation identifier enclosed in dotted lines beginning with characters other than ""SU"" or ""UAVG"" denotes that the union classification and rate were prevailing for that classification in the survey. Example: PLUM0198-005 07/01/2014. PLUM is an abbreviation identifier of the union which prevailed in the survey for this classification, which in this example would be Plumbers. 0198 indicates the local union number or district council number where applicable, i.e., Plumbers Local 0198. The next number, 005 in the example, is an internal number used in processing the wage determination. 07/01/2014 is the effective date of the most current negotiated rate, which in this example is July 1, 2014.

Union prevailing wage rates are updated to reflect all rate changes in the collective bargaining agreement (CBA) governing this classification and rate.

Survey Rate Identifiers

Classifications listed under the ""SU"" identifier indicate that no one rate prevailed for this classification in the survey and the published rate is derived by computing a weighted average rate based on all the rates reported in the survey for that classification. As this weighted average rate includes all rates reported in the survey, it may include both union and non-union rates. Example: SULA2012-007 5/13/2014. SU indicates the rates are survey rates based on a weighted average calculation of rates and are not majority rates. LA indicates the State of Louisiana. 2012 is the year of survey on which

these classifications and rates are based. The next number, 007 in the example, is an internal number used in producing the wage determination. 5/13/2014 indicates the survey completion date for the classifications and rates under that identifier.

Survey wage rates are not updated and remain in effect until a new survey is conducted.

Union Average Rate Identifiers

Classification(s) listed under the UAVG identifier indicate that no single majority rate prevailed for those classifications; however, 100% of the data reported for the classifications was union data. EXAMPLE: UAVG-OH-0010 08/29/2014. UAVG indicates that the rate is a weighted union average rate. OH indicates the state. The next number, 0010 in the example, is an internal number used in producing the wage determination. 08/29/2014 indicates the survey completion date for the classifications and rates under that identifier.

A UAVG rate will be updated once a year, usually in January of each year, to reflect a weighted average of the current negotiated/CBA rate of the union locals from which the rate is based.

WAGE DETERMINATION APPEALS PROCESS

1.) Has there been an initial decision in the matter? This can be:

- * an existing published wage determination
- * a survey underlying a wage determination
- * a Wage and Hour Division letter setting forth a position on

a wage determination matter

* a conformance (additional classification and rate) ruling

On survey related matters, initial contact, including requests for summaries of surveys, should be with the Wage and Hour Regional Office for the area in which the survey was conducted because those Regional Offices have responsibility for the Davis-Bacon survey program. If the response from this initial contact is not satisfactory, then the process described in 2.) and 3.) should be followed.

With regard to any other matter not yet ripe for the formal process described here, initial contact should be with the Branch of Construction Wage Determinations. Write to:

Branch of Construction Wage Determinations
Wage and Hour Division
U.S. Department of Labor
200 Constitution Avenue, N.W.
Washington, DC 20210

2.) If the answer to the question in 1.) is yes, then an interested party (those affected by the action) can request review and reconsideration from the Wage and Hour Administrator (See 29 CFR Part 1.8 and 29 CFR Part 7). Write to:

Wage and Hour Administrator
U.S. Department of Labor
200 Constitution Avenue, N.W.
Washington, DC 20210

The request should be accompanied by a full statement of the interested party's position and by any information (wage payment data, project description, area practice material, etc.) that the requestor considers relevant to the issue.

3.) If the decision of the Administrator is not favorable, an

interested party may appeal directly to the Administrative Review Board (formerly the Wage Appeals Board). Write to:

Administrative Review Board
U.S. Department of Labor
200 Constitution Avenue, N.W.
Washington, DC 20210

4.) All decisions by the Administrative Review Board are final.

=====

END OF GENERAL DECISION"

Introduction to the Prevailing Rate Schedule

Information About Prevailing Rate Schedule

This information is provided to assist you in the interpretation of particular requirements for each classification of worker contained in the attached Schedule of Prevailing Rates.

Classification

It is the duty of the Commissioner of Labor to make the proper classification of workers taking into account whether the work is heavy and highway, building, sewer and water, tunnel work, or residential, and to make a determination of wages and supplements to be paid or provided. It is the responsibility of the public work contractor to use the proper rate. If there is a question on the proper classification to be used, please call the district office located nearest the project. District office locations and phone numbers are listed below.

Prevailing Wage Schedules are issued separately for "General Construction Projects" and "Residential Construction Projects" on a county-by-county basis.

General Construction Rates apply to projects such as: Buildings, Heavy & Highway, and Tunnel and Water & Sewer rates.

Residential Construction Rates generally apply to construction, reconstruction, repair, alteration, or demolition of one family, two family, row housing, or rental type units intended for residential use.

Some rates listed in the Residential Construction Rate Schedule have a very limited applicability listed along with the rate. Rates for occupations or locations not shown on the residential schedule must be obtained from the General Construction Rate Schedule. Please contact the local Bureau of Public Work office before using Residential Rate Schedules, to ensure that the project meets the required criteria.

Payrolls and Payroll Records

Contractors and subcontractors are required to establish, maintain, and preserve for not less than six (6) years, contemporaneous, true, and accurate payroll records.

Every contractor and subcontractor shall submit to the Department of Jurisdiction (Contracting Agency), within thirty (30) days after issuance of its first payroll and every thirty (30) days thereafter, a transcript of the original payrolls, subscribed and affirmed as true under penalty of perjury.

Paid Holidays

Paid Holidays are days for which an eligible employee receives a regular day's pay, but is not required to perform work. If an employee works on a day listed as a paid holiday, this remuneration is in addition to payment of the required prevailing rate for the work actually performed.

Overtime

At a minimum, all work performed on a public work project in excess of eight hours in any one day or more than five days in any workweek is overtime. However, the specific overtime requirements for each trade or occupation on a public work project may differ. Specific overtime requirements for each trade or occupation are contained in the prevailing rate schedules.

Overtime holiday pay is the premium pay that is required for work performed on specified holidays. It is only required where the employee actually performs work on such holidays.

The applicable holidays are listed under HOLIDAYS: OVERTIME. The required rate of pay for these covered holidays can be found in the OVERTIME PAY section listings for each classification.

Supplemental Benefits

Particular attention should be given to the supplemental benefit requirements. Although in most cases the payment or provision of supplements is straight time for all hours worked, some classifications require the payment or provision of supplements, or a portion of the supplements, to be paid or provided at a premium rate for premium hours worked. Supplements may also be required to be paid or provided on paid holidays, regardless of whether the day is worked. The Overtime Codes and Notes listed on the particular wage classification will indicate these conditions as required.

Effective Dates

When you review the schedule for a particular occupation, your attention should be directed to the dates above the column of rates. These are the dates for which a given set of rates is effective. The rate listed is valid until the next effective rate change or until the new annual determination which takes effect on July 1 of each year. All contractors and subcontractors are required to pay the current prevailing rates of wages and supplements. If you have any questions please contact the Bureau of Public Work or visit the New York State Department of Labor website (www.labor.ny.gov) for current wage rate information.

Apprentice Training Ratios

The following are the allowable ratios of registered Apprentices to Journey-workers.

For example, the ratio 1:1,1:3 indicates the allowable initial ratio is one Apprentice to one Journeyworker. The Journeyworker must be in place on the project before an Apprentice is allowed. Then three additional Journeyworkers are needed before a second Apprentice is allowed. The last ratio repeats indefinitely. Therefore, three more Journeyworkers must be present before a third Apprentice can be hired, and so on.

Please call Apprentice Training Central Office at (518) 457-6820 if you have any questions.

Title (Trade)	Ratio
Boilermaker (Construction)	1:1,1:4
Boilermaker (Shop)	1:1,1:3
Carpenter (Bldg.,H&H, Pile Driver/Dockbuilder)	1:1,1:4
Carpenter (Residential)	1:1,1:3
Electrical (Outside) Lineman	1:1,1:2
Electrician (Inside)	1:1,1:3
Elevator/Escalator Construction & Modernizer	1:1,1:2
Glazier	1:1,1:3
Insulation & Asbestos Worker	1:1,1:3
Iron Worker	1:1,1:4
Laborer	1:1,1:3
Mason	1:1,1:4
Millwright	1:1,1:4
Op Engineer	1:1,1:5
Painter	1:1,1:3
Plumber & Steamfitter	1:1,1:3
Roofer	1:1,1:2
Sheet Metal Worker	1:1,1:3
Sprinkler Fitter	1:1,1:2

If you have any questions concerning the attached schedule or would like additional information, please contact the nearest BUREAU of PUBLIC WORK District Office or write to:

New York State Department of Labor
Bureau of Public Work
State Office Campus, Bldg. 12
Albany, NY 12240

District Office Locations:	Telephone #	FAX #
Bureau of Public Work - Albany	518-457-2744	518-485-0240
Bureau of Public Work - Binghamton	607-721-8005	607-721-8004
Bureau of Public Work - Buffalo	716-847-7159	716-847-7650
Bureau of Public Work - Garden City	516-228-3915	516-794-3518
Bureau of Public Work - Newburgh	845-568-5287	845-568-5332
Bureau of Public Work - New York City	212-932-2419	212-775-3579
Bureau of Public Work - Patchogue	631-687-4882	631-687-4902
Bureau of Public Work - Rochester	585-258-4505	585-258-4708
Bureau of Public Work - Syracuse	315-428-4056	315-428-4671
Bureau of Public Work - Utica	315-793-2314	315-793-2514
Bureau of Public Work - White Plains	914-997-9507	914-997-9523
Bureau of Public Work - Central Office	518-457-5589	518-485-1870

Essex County General Construction

Boilermaker **07/01/2019**

JOB DESCRIPTION Boilermaker **DISTRICT 1**

ENTIRE COUNTIES

Albany, Broome, Chenango, Columbia, Delaware, Essex, Fulton, Greene, Hamilton, Herkimer, Montgomery, Otsego, Rensselaer, Saratoga, Schenectady, Schoharie, Tioga, Warren, Washington

WAGES

Per hour	07/01/2019	01/01/2020 Additional
Boilermaker	\$ 37.29	\$ 1.59

SUPPLEMENTAL BENEFITS

Per hour	07/01/2019
Journeymen	\$ 24.53 + 1.24*

* This portion of the benefit is NOT subject to the SAME PREMIUM as shown for overtime.

OVERTIME PAY

See (B, E, Q, V) on OVERTIME PAGE

HOLIDAY

Paid: See (1) on HOLIDAY PAGE
 Overtime: See (5, 6, 15, 25) on HOLIDAY PAGE

Note: When a holiday falls on Sunday, the day observed by the State or Nation shall be observed, and when Christmas Day and New Year's fall on Saturday, Friday will be observed as the holiday.

REGISTERED APPRENTICES

Wages per hour
 (1/2) year terms at the following percentage of Journeyman's wage.

1st	2nd	3rd	4th	5th	6th	7th	8th
65%	65%	70%	75%	80%	85%	90%	95%

Supplemental Benefits per hour

1st	2nd	3rd	4th	5th	6th	7th	8th
18.42	18.42	19.30	20.16	21.03	21.91	22.79	23.65
+1.24*	+1.24*	+1.24*	+1.24*	+1.24*	+1.24*	+1.24*	+1.24*

* This portion of the benefit is NOT subject to the SAME PREMIUM as shown for overtime.

1-197

Carpenter - Building **07/01/2019**

JOB DESCRIPTION Carpenter - Building **DISTRICT 2**

ENTIRE COUNTIES

Clinton, Essex, Franklin

WAGES

Per hour:	07/01/2019	07/01/2020 Additional
Carpenter	\$ 27.17	\$ 1.00
Floor Coverer	27.17	1.00
Carpet Layer	27.17	1.00
Dry-Wall	27.17	1.00
Lather	27.17	1.00
Diver-Wet Day	61.25	0.00
Diver-Dry Day	28.17	1.00
Diver Tender	28.17	1.00

NOTE ADDITIONAL AMOUNTS PAID FOR THE FOLLOWING WORK LISTED BELOW (not subject to overtime premiums):

- Pile Drivers shall receive \$0.25 per hour over the journeyman's rate of pay when performing piledriving work.
- Certified welders shall receive \$1.00 per hour over the journeyman's rate of pay when the employee is required to be certified and performs DOT or ABS specified welding work
- When an employee performs work within a contaminated area on a State and/or Federally designated hazardous waste site, and where relevant State and/or Federal regulations require employees to be furnished and use or wear required forms of personal protection, then the employee shall receive his regular hourly rate plus \$1.50 per hour.
- Depth pay for Divers based upon deepest depth on the day of the dive:
 - 0' to 80' no additional fee
 - 81' to 100' additional \$.50 per foot
 - 101' to 150' additional \$0.75 per foot
 - 151' and deeper additional \$1.25 per foot
- Penetration pay for Divers based upon deepest penetration on the day of the dive:
 - 0' to 50' no additional fee
 - 51' to 100' additional \$.75 per foot
 - 101' and deeper additional \$1.00 per foot
- Diver rates applies to all hours worked on dive day.

Four (4), ten (10) hour days may be worked at straight time during a week, Monday thru Thursday. Friday may be used as a make-up day.

NOTE - In order to use the '4 Day/10 Hour Work schedule', as your normal schedule, you must submit an 'Employer Registration for Use of 4 Day/10 Hour Work Schedule,' form PW30.1; and there must be a dispensation of hours in place on the project. If the PW30.1 is not submitted you may be liable for overtime payments for work over 8 hours per day.

SUPPLEMENTAL BENEFITS

Per hour:

Journeyman \$ 20.89

OVERTIME PAY

See (B, E, *E2, Q) on OVERTIME PAGE

* Note - Saturday is payable at straight time if the employee misses work, except where a doctor's or hospital verification of illness is produced Monday through Friday when work was available to the employee.

HOLIDAY

Paid: See (1) on HOLIDAY PAGE

Overtime: See (5, 6) on HOLIDAY PAGE

Note: Any holiday which occurs on Sunday shall be observed the following Monday. If Christmas falls on a Saturday, it shall be observed on the prior Friday.

REGISTERED APPRENTICES

Wages per hour

FOR APPRENTICES INDENTURED PRIOR TO JANUARY 1, 2016

One year terms at the following percentage of Journeyman's base wage.

1st	2nd	3rd	4th
50%	60%	70%	80%

Supplemental Benefits per hour:

1st year term	\$ 11.46
2nd year term	11.46
3rd year term	14.06
4th year term	14.06

FOR APPRENTICES INDENTURED AFTER JANUARY 1, 2016

1,300 hour terms at the following percentage of Journeyman's base wage.

1st	2nd	3rd	4th	5th
50%	60%	65%	70%	80%

Supplemental Benefits per hour:

1st term	\$ 11.46
2nd term	11.46
3rd term	14.06
4th term	14.06
5th term	14.06

ADDITIONAL AMOUNTS PAID TO APPRENTICES FOR SPECIFIC TYPES OF WORK PERFORMED (not subject to overtime premiums):

- Pile Driving apprentices shall receive \$0.25 per hour when performing piledriving work.

- Certified welders shall receive \$1.00 per hour over the apprentices rate of pay when the apprentice is required to be certified and performs DOT or ABS specified welding work
- When an apprentice performs work within a contaminated area on a State and/or Federally designated hazardous waste site, and where relevant State and/or Federal regulations require the apprentice to be furnished and use or wear required forms of personal protection, then the apprentice shall receive his regular hourly rate plus \$1.50 per hour.

2-291B-Cli

Carpenter - Building / Heavy&Highway

07/01/2019

JOB DESCRIPTION Carpenter - Building / Heavy&Highway

DISTRICT 2

ENTIRE COUNTIES

Albany, Allegany, Broome, Cattaraugus, Cayuga, Chautauqua, Chemung, Chenango, Clinton, Columbia, Cortland, Delaware, Erie, Essex, Franklin, Fulton, Genesee, Greene, Hamilton, Herkimer, Jefferson, Lewis, Livingston, Madison, Monroe, Montgomery, Niagara, Oneida, Onondaga, Ontario, Orleans, Oswego, Otsego, Rensselaer, Saratoga, Schenectady, Schoharie, Schuyler, Seneca, St. Lawrence, Steuben, Sullivan, Tioga, Tompkins, Ulster, Warren, Washington, Wayne, Wyoming, Yates

PARTIAL COUNTIES

Orange: The area lying on Northern side of Orange County demarcated by a line drawn from the Bear Mountain Bridge continuing east to the Bear Mountain Circle, continue North on 9W to the town of Cornwall where County Road 107 (also known as Quaker Rd) crosses under 9W, then east on County Road 107 to Route 32, then north on Route 32 to Orrs Mills Rd, then west on Orrs Mills Rd to Route 94, continue west and south on Route 94 to the Town of Chester, to the intersection of Kings Highway, continue south on Kings Highway to Bellvale Rd, west on Bellvale Rd to Bellvale Lakes Rd, then south on Bellvale Lakes Rd to Kain Rd, southeast on Kain Rd to Route 17A, then north and southeast along Route 17A to Route 210, then follow Route 210 to NJ Border.

WAGES

Wages per hour:	07/01/2019	07/01/2020	07/01/2021
		Additional	Additional
Carpenter - ONLY for Artificial Turf/Synthetic Sport Surface	\$ 30.88	\$ 1.15	\$ 1.15

Note - Does not include the operation of equipment. Please see Operating Engineers rates.

SUPPLEMENTAL BENEFITS

Per hour:

Journeyman \$ 23.10

OVERTIME PAY

See (B, E, Q, X) on OVERTIME PAGE

HOLIDAY

Paid: See (5) on HOLIDAY PAGE
 Overtime: See (5, 6, 16) on HOLIDAY PAGE

Notes:

When a holiday falls upon a Saturday, it shall be observed on the preceding Friday. When a holiday falls upon a Sunday, it shall be observed on the following Monday.

An employee taking an unexcused day off the regularly scheduled day before or after a paid Holiday shall not receive Holiday pay.

REGISTERED APPRENTICES

Wages per hour:

One year terms at the following percentage of Journeyman's wage:

1st	2nd	3rd	4th
55%	60%	70%	80%

Supplemental Benefits per hour:

1st year term	\$ 11.55
2nd year term	11.55
3rd year term	14.15
4th year term	14.15

2-42AtSS

Carpenter - Heavy&Highway

07/01/2019

JOB DESCRIPTION Carpenter - Heavy&Highway

DISTRICT 2

ENTIRE COUNTIES

Albany, Clinton, Essex, Franklin, Fulton, Greene, Hamilton, Montgomery, Rensselaer, Saratoga, Schenectady, Schoharie, Warren, Washington

WAGES

Per hour	07/01/2019	07/01/2020	07/01/2021
		Additional	Additional
Carpenter	\$ 33.02	\$ 1.40	\$ 1.40

Piledriver	33.02	1.40	1.40
Diver-Wet Day	58.02	1.40	1.40
Diver-Dry Day	34.02	1.40	1.40
Diver-Tender	34.02	1.40	1.40

NOTE ADDITIONAL AMOUNTS PAID FOR THE FOLLOWING WORK LISTED BELOW (not subject to overtime premiums):

- When project owner mandates a single irregular work shift, the employee will receive an additional \$2.00 per hour. A single irregular work shift can start any time from 5:00 p.m. to 1:00 a.m.
- State or Federal designated hazardous site, requiring protective gear shall be an additional \$2.00 per hour.
- Certified welders when required to perform welding work will receive an additional \$1.50 per hour.

ADDITIONAL NOTES PERTAINING TO DIVERS/TENDERS:

- Divers and Tenders shall receive one and one half (1 1/2) times their regular diver and tender rate of pay for Effluent and Slurry diving.
- Divers and tenders being paid at the specified rate for Effluent and Slurry diving shall have all overtime rates based on the specified rate plus the appropriate overtime rates (one and one half or two times the specified rate for Slurry and Effluent divers and tenders).
- The pilot of an ADS or submersible will receive one and one-half (1 1/2) times the Diver-Wet Day Rate for time submerged.
- All crew members aboard a submersible shall receive the Diver-Wet Day rate.
- Depth pay for Divers based upon deepest depth on the day of the dive (per diem payment):
 - 0' to 50' no additional fee
 - 51'to 100' additional \$.50 per foot
 - 101'to 150' additional \$.75 per foot
 - 151'and deeper additional \$1.25 per foot
- Penetration pay for Divers based upon deepest penetration on the day of the dive (per diem payment):
 - 0' to 50' no additional fee
 - 51' to 100' additional \$.75 per foot
 - 101' and deeper additional \$1.00 per foot
- Diver rates applies to all hours worked on dive day.

Four (4), ten (10) hour days may be worked at straight time during a week, Monday thru Friday, provided the project duration is more than forty (40) hours.

NOTE - In order to use the '4 Day/10 Hour Work schedule', as your normal schedule, you must submit an 'Employer Registration for Use of 4 Day/10 Hour Work Schedule,' form PW30.1; and there must be a dispensation of hours in place on the project. If the PW30.1 is not submitted you may be liable for overtime payments for work over 8 hours per day.

SUPPLEMENTAL BENEFITS

Per hour:

Journeyman \$ 22.50

OVERTIME PAY

See (B, E, Q) on OVERTIME PAGE

HOLIDAY

Paid: See (5, 6) on HOLIDAY PAGE

Overtime: See (5, 6) on HOLIDAY PAGE

In the event a Holiday falls on a Saturday, the Friday before will be observed as a Holiday. If a Holiday falls on a Sunday, then Monday will be observed as a Holiday. Employee must work scheduled work day before and after the Holiday.

REGISTERED APPRENTICES

Wages per hour

FOR APPRENTICES INDENTURED PRIOR TO JANUARY 1, 2016

One year terms at the following percentage of Journeyman's base wage

1st	2nd	3rd	4th
55%	60%	70%	80%

Supplemental Benefits per hour:

1st year term	\$ 11.42
2nd year term	11.42
3rd year term	14.02
4th year term	14.02

FOR APPRENTICES INDENTURED AFTER JANUARY 1, 2016

1,300 hour terms at the following percentage of Journeyman's base wage

1st	2nd	3rd	4th	5th
55%	60%	65%	70%	80%

Supplemental Benefits per hour:

1st term	\$ 11.42
2nd term	11.42
3rd term	14.02
4th term	14.02
5th term	14.02

NOTE ADDITIONAL AMOUNTS PAID TO APPRENTICES FOR THE FOLLOWING WORK LISTED BELOW (not subject to overtime premiums):

- When project owner mandates a single irregular work shift, the employee will receive an additional \$2.00 per hour. A single irregular work shift can start any time from 5:00 p.m. to 1:00 a.m.
- State or Federal designated hazardous site, requiring protective gear shall be an additional \$2.00 per hour.
- Certified welders when required to perform welding work will receive an additional \$1.50 per hour.

2-291HH-Alb

Electrician

07/01/2019

JOB DESCRIPTION Electrician

DISTRICT 6

ENTIRE COUNTIES

Clinton, Essex, Franklin, Jefferson, Lewis, St. Lawrence

WAGES

Per hour:	07/01/2019	04/01/2020	04/01/2021	04/01/2022
		Additional	Additional	Additional
Electrician	\$ 35.00	\$ 1.55	\$ 1.60	\$ 1.65
Teledata	35.00			
Welder	37.00			

NOTE: Additional premiums for the following work listed:

- Additional \$1.50 per hour for work performed underground such as tunnels and mine shafts. Excludes manholes and walkway tunnels between buildings.
- Additional \$1.50 per hour for working 35 feet or more on scaffolds, ladders, towers, steeples, structural steel, or mechanical lifts over 65 feet.

Shift Work: The following rates will apply on all Contracting Agency mandated shifts worked between the hours listed below. The employer may be permitted to adjust the starting hours of the shift by up to two (2) hours if required by the agency. If a shift begins outside of the stated shift hours, the rate paid would be determined by what shift the majority of the hours were worked.

1st shift:	8:00 AM to 4:30 PM regular wage rate
2nd shift:	4:30 PM to 1:00 AM regular wage rate plus 17.3%
3rd shift:	12:30 AM to 9:00 AM regular wage rate plus 31.4%

**** IMPORTANT NOTICE - EFFECTIVE 07/01/2012 ****

Four (4), ten (10) hour days may be worked at straight time during a week, Monday thru Thursday. Friday may be used as a make-up day. NOTE - In order to use the '4 Day/10 Hour Work schedule', as your normal schedule, you must submit an 'Employer Registration for Use of 4 Day/10 Hour Work Schedule,' form PW30.1; and there must be a dispensation of hours in place on the project. If the PW30.1 is not submitted you may be liable for overtime payments for work over 8 hours per day.

SUPPLEMENTAL BENEFITS

Per hour:	\$ 20.68
	*plus 5.75% of gross wage

* NOTE: THE 5.75% IS BASED ON THE HOURLY WAGE PAID, STRAIGHT TIME RATE OR PREMIUM TIME RATE.

OVERTIME PAY

See (B, E, Q) on OVERTIME PAGE

NOTE: WAGE CAP...Double the straight time hourly base wage shall be the maximum hourly wage compensation for any hour worked. Contractor is still responsible to pay the hourly benefit amount for each hour worked.

HOLIDAY

Paid:	See (1) on HOLIDAY PAGE
Overtime:	See (5, 6) on HOLIDAY PAGE

REGISTERED APPRENTICES

WAGES: Hourly terms at the following percentage of Journeyman's wage.

	1-1000	to 2000	to 3500	to 5000	to 6500	to 8000
	45%	50%	55%	60%	70%	80%
Electrician	\$15.75	\$17.50	\$19.25	\$21.00	\$24.50	\$28.00
Tunnel	\$17.25	\$19.00	\$20.75	\$22.50	\$26.00	\$29.50

SUPPLEMENTAL BENEFITS per hour:

07/01/2019

Appr 1st & 2nd term \$ 10.02
 * plus 5.75% of gross wage

Appr All other terms \$ 20.68
 * plus 5.75% of gross wage

* NOTE: THE 5.75% IS BASED ON THE HOURLY WAGE PAID, STRAIGHT TIME RATE OR PREMIUM TIME RATE.

6-910

Elevator Constructor

07/01/2019

JOB DESCRIPTION Elevator Constructor

DISTRICT 1

ENTIRE COUNTIES

Albany, Clinton, Essex, Fulton, Hamilton, Herkimer, Montgomery, Otsego, Rensselaer, Saratoga, Schenectady, Schoharie, Warren, Washington

PARTIAL COUNTIES

Madison: Madison Only the towns of: Brookfield, Hamilton, Lincoln, Madison, Smithfield, Stockbridge and the City of Oneida
 Oneida: Entire county except the towns of: Camden, Florence, and Vienna.

WAGES

Per hour

07/01/2019 01/01/2020

Mechanic \$ 46.00 \$ 47.51

Helper 70% of Mechanic Wage Rate 70% of Mechanic Wage Rate

Four (4), ten (10) hour days may be worked for New Construction and Modernization Work at straight time during a week, Monday thru Thursday or Tuesday thru Friday.

***Four (4), ten (10) hour days are not permitted for Contract Work/Repair Work

NOTE - In order to use the '4 Day/10 Hour Work schedule', as your normal schedule, you must submit an 'Employer Registration for Use of 4 Day/10 Hour Work Schedule,' form PW30.1; and there must be a dispensation of hours in place on the project. If the PW30.1 is not submitted you may be liable for overtime payments for work over 8 hours per day.

SUPPLEMENTAL BENEFITS

Per hour

07/01/2019 01/01/2020

Journeyman/Helper \$ 33.705* \$ 34.765*

(*)Plus 6% of hourly rate, if less than 5 years of service. Plus 8% of hourly rate, if more than 5 years of service.

OVERTIME PAY

See (D, O) on OVERTIME PAGE

HOLIDAY

Paid: See (5, 6, 15, 16) on HOLIDAY PAGE
 Overtime: See (5, 6, 15, 16) on HOLIDAY PAGE

Note: When a paid holiday falls on Saturday, it shall be observed on Friday. When a paid holiday falls on Sunday, it shall be observed on Monday.

REGISTERED APPRENTICES

Wages per hour:

0-6 mo*	6-12 mo	2nd yr	3rd yr	4th yr
50%	55 %	65 %	70 %	80 %

(*)Plus 6% of the hourly rate, no additional supplemental benefits.

Supplemental Benefits - per hour worked:

Same as Journeyman/Helper

Glazier **07/01/2019**

JOB DESCRIPTION Glazier

DISTRICT 1

ENTIRE COUNTIES

Albany, Clinton, Columbia, Essex, Franklin, Fulton, Greene, Hamilton, Montgomery, Rensselaer, Saratoga, Schenectady, Schoharie, Warren, Washington

WAGES

Per hour

	07/01/2019	5/01/2020 Additional	5/01/2021 Additional
Glazier Base Wage	\$ 29.15	\$ 1.75	\$ 1.75
	+ additional \$2.20 per hour for all hours worked		
High Work Base Wage*	31.35		
	+ additional \$3.55 per hour for all hours worked		

(*)When working on Swing Stage or Lift 100 feet or more in height, measured from the ground level up.

Four (4), ten (10) hour days may be worked at straight time during a week, Monday thru Thursday. Friday may be used as a make-up day.
 NOTE - In order to use the 4 Day/10 Hour Work schedule, as your normal schedule, you must submit an Employer Registration for Use of 4 Day/10 Hour Work Schedule, form PW30.1; and there must be a dispensation of hours in place on the project. If the PW30.1 is not submitted you may be liable for overtime payments for work over 8 hours per day.

SUPPLEMENTAL BENEFITS

Per hour

Journeyman	\$ 20.06
Journeyman High Work	25.36

OVERTIME PAY

See (B, E, E2, Q) on OVERTIME PAGE

Premium is applied to the respective base wage only.

HOLIDAY

Paid: See (1) on HOLIDAY PAGE
 Overtime: See (5, 6) on HOLIDAY PAGE

Note: If any of the holidays are designated by federal law to be celebrated on a day other than that on which they regularly fall, then the holiday shall be celebrated on the day set by said federal law as if the day on which the holiday is celebrated was actually the holiday date.

REGISTERED APPRENTICES

Wages per hour

Apprentice Glazier One Year and 1500 hr. terms at the following percentage of Journeymans base wage.

1st	2nd	3rd	4th
50%	65%	75%	90%
+ additional \$2.20 per hour for all hours worked for all terms			

Apprentice Glazier Hi-Work One Year and 1500 hr. terms at the following percentage of Journeymans Hi-Work base wage.

1st	2nd	3rd	4th
50%	65%	75%	90%
+ additional \$3.52 per hour for all hours worked for all terms			

Supplemental Benefits per hour worked

Apprentice 1st term	\$ 16.39
Apprentice 2nd-4th term	20.06
Apprentice High Work 1st term	19.34
Apprentice High Work 2nd-4th term	25.36

Insulator - Heat & Frost **07/01/2019**

JOB DESCRIPTION Insulator - Heat & Frost

DISTRICT 1

ENTIRE COUNTIES

Albany, Columbia, Delaware, Essex, Fulton, Greene, Hamilton, Montgomery, Rensselaer, Saratoga, Schenectady, Schoharie, Sullivan, Ulster, Warren, Washington

WAGES

Wages per hour 07/01/2019

Asbestos Worker*	\$ 36.04
Insulator*	36.04
Firestopping Worker*	30.64

(*)On Mechanical Systems only.

On government mandated shift work additional 12% of wage for all shifts starting after 3:30 P.M.

SUPPLEMENTAL BENEFITS

Per hour

Journeyman \$ 21.94

OVERTIME PAY

See (*B1, **Q) on OVERTIME PAGE

*B1=Double time begins after 10 hours on Saturday

**Q=Triple time on Labor Day if worked.

HOLIDAY

Paid: See (1) on HOLIDAY PAGE

Overtime: See (5, 6) on HOLIDAY PAGE

When a holiday falls on Sunday the following Monday shall be observed as the holiday.

REGISTERED APPRENTICES

Wages per hour

one year terms at the following percentage of Journeyman's wage.

1st	2nd	3rd	4th
60 %	70 %	80 %	90 %

Supplemental Benefits per hour worked:

Apprentices \$ 21.94

1-40

Ironworker

07/01/2019

JOB DESCRIPTION Ironworker

DISTRICT 1

ENTIRE COUNTIES

Albany, Clinton, Columbia, Delaware, Essex, Greene, Rensselaer, Saratoga, Schenectady, Schoharie, Warren, Washington

PARTIAL COUNTIES

Fulton: Only the Townships of Broadalbin, Mayfield, Northampton, Perth, Bleecker and Johnstown.

Hamilton: Only the Townships of Hope, Benson and Wells.

Montgomery: Only the Townships of Florida, Amsterdam, Charleston, Glen, Mohawk and Root.

Otsego: Only the Towns of Unadilla, Butternuts, Morris, Otego, Oneonta, Laurens, Millford, Maryland and Worcester.

WAGES

Wages 07/01/2019

Per hour

Ornamental	\$ 31.55
Reinforcing	31.55
Rodman	31.55
Structural & Precast	31.55
Mover/Rigger	31.55
Fence Erector	31.55
Stone Derrickman	31.55
Sheeter	31.80
Curtain Wall Installer	31.55
Metal Window Installer	31.55

SUPPLEMENTAL BENEFITS

Per hour

JOURNEYMAN \$ 28.81

OVERTIME PAY

See (B, E, Q) on OVERTIME PAGE

HOLIDAY

Paid: See (1) on HOLIDAY PAGE

Overtime: See (5, 6) on HOLIDAY PAGE

Note: Any holiday which occurs on Sunday shall be observed the following Monday.

REGISTERED APPRENTICES

Wages per hour

ONE YEAR TERMS AT THE FOLLOWING WAGE RATES:

07/01/2019

1st year	\$ 16.50
2nd year	18.50
3rd year	20.50
4th year	22.50

Supplemental Benefits per hour worked

1st year	\$ 11.25
2nd year	22.39
3rd year	23.97
4th year	25.57

1-12

Laborer - Building

07/01/2019

JOB DESCRIPTION Laborer - Building

DISTRICT 7

ENTIRE COUNTIES

Clinton, Essex, Warren

WAGES

GROUP A: All Laborers (except as noted)

GROUP B: Asbestos & Hazardous Waste Work.

WAGES per hour

07/01/2019

Group A	\$ 24.33
Group B	25.83

SUPPLEMENTAL BENEFITS

Per hour:

Journeyman \$ 22.45

OVERTIME PAY

See (B, E, E2, Q) on OVERTIME PAGE

HOLIDAY

Paid: See (1) on HOLIDAY PAGE

Overtime: See (5, 6) on HOLIDAY PAGE

REGISTERED APPRENTICES

Wages per hour

Terms are at the following percentage of Group Rate A.

0-1,000 Hrs	1,001-2,000 Hrs	2,001-3,000 Hrs	3,001-4,000 Hrs
60%	70%	80%	90%

SUPPLEMENTAL BENEFITS per hour worked:

All Terms: Same as Journeyman

7-1822ew

Laborer - Heavy&Highway

07/01/2019

JOB DESCRIPTION Laborer - Heavy&Highway

DISTRICT 7

ENTIRE COUNTIES
Clinton, Essex, Warren

WAGES
Per hour:

GROUP A: Drill Helper, Flagmen, Outboard and Hand Boats.

GROUP B: BASIC RATE: Bull Float (where used for strike off only), Chain Saw, Concrete Aggregate Bin, Concrete Bootman, Gin Buggy, Hand or Machine Vibrator, Jack Hammer, Mason Tender, Mortar Mixer, Pavement Breaker, Handlers of All Steel Mesh, Small Generators for Laborers' Tools, Installation of Bridge Drainage Pipe, Pipe Layers, Vibrator Type Rollers, Tamper, Drill Doctor, Water Pump Operator (1-1/2" and Single Diaphragm) Nozzle (Asphalt, Guniting, Seeding, and Sand Blasting), Laborers on Chain Link Fence Erection, Rock Splitter & Power Unit, Pusher Type Concrete Saw and All Other Gas, Electric, Oil, and Air Tool Operators, Wrecking Laborer.

GROUP C: Drilling Equipment - only where a separate air compressor unit supplies power, Acetylene Torch Operators, Asphalt Raker, Powder Man, Tail or Screw Operator on Asphalt Paver.

GROUP D: Blasters, Form Setters, Stone or Granite Curb Setters.

GROUP E: Hazardous Waste Removal Work when designated by State/Federal as hazardous waste site and regulations require employees wear required personal protection.

WAGES per hour	07/01/2019	07/01/2020 Additional	07/01/2021 Additional
Group # A	\$ 25.97	\$ 1.60	\$ 1.60
Group # B	26.17	1.60	1.60
Group # C	26.37	1.60	1.60
Group # D	26.57	1.60	1.60
Group # E	28.67	1.60	1.60

NOTE: A single irregular work shift starting any time between 5:00 PM and 1:00 AM on governmental mandated night work shall be paid an additional \$2.50 per hour.

IMPORTANT NOTE: Operation of all terrain forklifts or skid steers is the work of the Operating Engineers, please see appropriate rates.

SUPPLEMENTAL BENEFITS
Per hour:

Journeyman \$ 24.95

OVERTIME PAY
See (B, E, Q) on OVERTIME PAGE

HOLIDAY
Paid: See (5, 6) on HOLIDAY PAGE
Overtime: See (5, 6) on HOLIDAY PAGE

NOTE: If a holiday falls on Sunday, it will be celebrated on Monday. In the event that men work on this Sunday holiday, they shall be paid double time. In the event that men work on Monday, they shall be compensated at double time plus the holiday pay. Accordingly, the Monday following the Sunday is treated as the holiday.

REGISTERED APPRENTICES
WAGES: 1000 hour terms at the following percentage of Journeyman's wage.

1st	2nd	3rd	4th
60%	70%	80%	90%

SUPPLEMENTAL BENEFITS per hour worked:

All Terms: Same as Journeyman

7-1822/2h

Laborer - Tunnel

07/01/2019

JOB DESCRIPTION Laborer - Tunnel

DISTRICT 7

ENTIRE COUNTIES
Clinton, Essex, Warren

WAGES
GROUP A: General Laborer

GROUP B: Change Houseman, Miners and all Machine Men, Safety Miner, all Shaft-work, Caisson work, Drilling, Blow Pipe, all Air Tools, Tugger, Scaling, Nipper, Guniting pot to nozzle, Bit Grinder, Signal Man (top and bottom), Concrete Men, Shield driven tunnels, mixed face and soft ground, liner plate tunnels in free air.

GROUP C: Hazardous/Waste Work

WAGES (per hour)

	07/01/2019	07/01/2020	07/01/2021
Tunnel Laborer:		Additional	Additional
Group A	\$ 29.15	\$ 1.60	\$ 1.60
Group B	29.35	1.60	1.60
Group C*	31.65	1.60	1.60

(*)Work site required to be designated by State/Federal as hazardous waste site and relevant regulations require employees to use personal protection.

Note - A single irregular work shift shall be paid an additional \$2.50 per hour.

SUPPLEMENTAL BENEFITS

Per hour:

Journeyman \$ 24.95

OVERTIME PAY

See (B, E, Q) on OVERTIME PAGE

HOLIDAY

Paid: See (5, 6) on HOLIDAY PAGE

Overtime: See (5, 6) on HOLIDAY PAGE

NOTE: If a holiday falls on Saturday, it will be celebrated on Friday. If a holiday falls on Sunday, it will be celebrated on Monday. In the event that men work on this Sunday holiday, they shall be paid double time. In the event that men work on Monday, they shall be compensated at double time plus the holiday pay. Accordingly, the Monday following the Sunday is treated as the holiday.

REGISTERED APPRENTICES

Wages per hour

Terms are at the following percentage of Group B rate.

0-1000 Hrs	1001-2000 Hrs	2001-3000 Hrs	3001-4000 Hrs
60%	70%	80%	90%

SUPPLEMENTAL BENEFITS

All Terms: Same as Journeyman

7-1822T

Lineman Electrician

07/01/2019

JOB DESCRIPTION Lineman Electrician

DISTRICT 6

ENTIRE COUNTIES

Albany, Allegany, Broome, Cattaraugus, Cayuga, Chautauqua, Chemung, Chenango, Clinton, Columbia, Cortland, Delaware, Dutchess, Erie, Essex, Franklin, Fulton, Genesee, Greene, Hamilton, Herkimer, Jefferson, Lewis, Livingston, Madison, Monroe, Montgomery, Niagara, Oneida, Onondaga, Ontario, Orange, Orleans, Oswego, Otsego, Putnam, Rensselaer, Rockland, Saratoga, Schenectady, Schoharie, Schuyler, Seneca, St. Lawrence, Steuben, Sullivan, Tioga, Tompkins, Ulster, Warren, Washington, Wayne, Wyoming, Yates

WAGES

Per hour:

NOTE: Includes Teledata Work within ten (10) feet of High Voltage Transmission Lines

Below rates applicable on all overhead and underground distribution and maintenance work, and all overhead and underground transmission line work and the installation of fiber optic cable where no other construction trades are or have been involved. (Ref #14.01.01)

	07/01/2019	05/04/2020
Lineman, Technician	\$ 52.05	\$ 53.50
Crane, Crawler Backhoe	52.05	53.50
Welder, Cable Splicer	52.05	53.50
Digging Mach. Operator	46.85	48.15
Tractor Trailer Driver	44.24	45.48
Groundman, Truck Driver	41.64	42.80

Equipment Mechanic	41.64	42.80
Flagman	31.23	32.10

Additional \$1.00 per hour for entire crew when a helicopter is used.

Below rates applicable on all electrical sub-stations, switching structures, fiber optic cable and all other work not defined as "Utility outside electrical work". (Ref #14.02.01-A)

Lineman, Technician	\$ 52.05	\$ 53.50
Crane, Crawler Backhoe	52.05	53.50
Cable Splicer	57.26	58.85
Certified Welder - Pipe Type Cable	54.65	56.18
Digging Mach. Operator	46.85	48.15
Tractor Trailer Driver	44.24	45.48
Groundman, Truck Driver	41.64	42.80
Equipment Mechanic	41.64	42.80
Flagman	31.23	32.10

Additional \$1.00 per hour for entire crew when a helicopter is used.

Below rates apply on switching structures, maintenance projects, railroad catenary install/maintenance third rail installation, bonding of rails and pipe type cable and installation of fiber optic cable. (Ref #14.02.01-B)

Lineman, Tech, Welder	\$ 53.37	\$ 54.82
Crane, Crawler Backhoe	53.37	54.82
Cable Splicer	58.71	60.30
Certified Welder - Pipe Type Cable	56.04	57.56
Digging Mach. Operator	48.03	49.34
Tractor Trailer Driver	45.36	46.60
Groundman, Truck Driver	42.70	43.86
Equipment Mechanic	42.70	43.86
Flagman	32.02	32.89

Additional \$1.00 per hour for entire crew when a helicopter is used.

Below rates applicable on all overhead and underground transmission line work & fiber optic cable where other construction trades are or have been involved. This applies to transmission line work only, not other construction. (Ref #14.03.01)

Lineman, Tech, Welder	\$ 54.56	\$ 56.01
Crane, Crawler Backhoe	54.56	56.01
Cable Splicer	54.56	56.01
Digging Mach. Operator	49.10	50.41
Tractor Trailer Driver	46.38	47.61
Groundman, Truck Driver	43.65	44.81
Equipment Mechanic	43.65	44.81
Flagman	32.74	33.61

Additional \$1.00 per hour for entire crew when a helicopter is used.

NOTE: THE FOLLOWING RATES WILL APPLY ON ALL CONTRACTING AGENCY MANDATED MULTIPLE SHIFTS OF AT LEAST FIVE (5) DAYS DURATION WORKED BETWEEN THE HOURS LISTED BELOW:

1ST SHIFT	8:00 AM to 4:30 PM	REGULAR RATE
2ND SHIFT	4:30 PM to 1:00 AM	REGULAR RATE PLUS 17.3 %
3RD SHIFT	12:30 AM to 9:00 AM	REGULAR RATE PLUS 31.4 %

**** IMPORTANT NOTICE ****

Four (4), ten (10) hour days may be worked at straight time during a week, Monday thru Thursday. Friday may be used as a make-up day.
 *Effective 05/06/2013, Tuesday thru Friday may be worked with no make-up day.

NOTE - In order to use the '4 Day/10 Hour Work schedule', as your normal schedule, you must submit an 'Employer Registration for Use of 4 Day/10 Hour Work Schedule,' form PW30.1; and there must be a dispensation of hours in place on the project. If the PW30.1 is not submitted you may be liable for overtime payments for work over 8 hours per day.

SUPPLEMENTAL BENEFITS

Per hour worked (also required on non-worked holidays):

The following SUPPLEMENTAL BENEFITS apply to all classification categories of CONSTRUCTION, TRANSMISSION and DISTRIBUTION.

Journeyman	\$ 24.15 *plus 6.75% of hourly wage	\$ 24.90 *plus 6.75% of hourly wage
------------	---	---

*The 6.75% is based on the hourly wage paid, straight time rate or premium rate.

OVERTIME PAY

See (B, E, Q,) on OVERTIME PAGE. *Note* Double time for all emergency work designated by the Dept. of Jurisdiction.
 NOTE: WAGE CAP...Double the straight time hourly base wage shall be the maximum hourly wage compensation for any hour worked.
 Contractor is still responsible to pay the hourly benefit amount for each hour worked.

HOLIDAY

Paid	See (5, 6, 8, 13, 25) on HOLIDAY PAGE plus Governor of NYS Election Day.
Overtime	See (5, 6, 8, 13, 25) on HOLIDAY PAGE plus Governor of NYS Election Day.

NOTE: All paid holidays falling on Saturday shall be observed on the preceding Friday. All paid holidays falling on Sunday shall be observed on the following Monday. Supplements for holidays paid at straight time.

REGISTERED APPRENTICES

WAGES: 1000 hour terms at the following percentage of the applicable Journeyman Lineman wage.

1st	2nd	3rd	4th	5th	6th	7th
60%	65%	70%	75%	80%	85%	90%

SUPPLEMENTAL BENEFITS: Same as Journeyman

6-1249a

Lineman Electrician - Teledata

07/01/2019

JOB DESCRIPTION Lineman Electrician - Teledata

DISTRICT 6

ENTIRE COUNTIES

Albany, Allegany, Broome, Cattaraugus, Cayuga, Chautauqua, Chemung, Chenango, Clinton, Columbia, Cortland, Delaware, Dutchess, Erie, Essex, Franklin, Fulton, Genesee, Greene, Hamilton, Herkimer, Jefferson, Lewis, Livingston, Madison, Monroe, Montgomery, Niagara, Oneida, Onondaga, Ontario, Orange, Orleans, Oswego, Otsego, Putnam, Rensselaer, Rockland, Saratoga, Schenectady, Schoharie, Schuyler, Seneca, St. Lawrence, Steuben, Sullivan, Tioga, Tompkins, Ulster, Warren, Washington, Wayne, Westchester, Wyoming, Yates

WAGES

Per hour:

For outside work, stopping at first point of attachment (demarcation).

	07/01/2019	01/01/2020	01/01/2021
Cable Splicer	\$ 32.78	\$ 33.77	\$ 34.78
Installer, Repairman	\$ 31.12	\$ 32.05	\$ 33.01
Teledata Lineman	\$ 31.12	\$ 32.05	\$ 33.01
Tech., Equip. Operator	\$ 31.12	\$ 32.05	\$ 33.01
Groundman	\$ 16.49	\$ 16.99	\$ 17.50

NOTE: EXCLUDES Teledata work within ten (10) feet of High Voltage (600 volts and over) transmission lines. For this work please see LINEMAN.

NOTE: THE FOLLOWING RATES WILL APPLY ON ALL CONTRACTING AGENCY MANDATED MULTIPLE SHIFTS OF AT LEAST FIVE (5) DAYS DURATION WORKED:

1ST SHIFT	REGULAR RATE
2ND SHIFT	REGULAR RATE PLUS 10%
3RD SHIFT	REGULAR RATE PLUS 15%

SUPPLEMENTAL BENEFITS

Per hour:

Journeyman	\$ 4.73 *plus 3% of wage paid	\$ 4.73 *plus 3% of wage paid	\$ 4.73 *plus 3% of wage paid
------------	-------------------------------------	-------------------------------------	-------------------------------------

*The 3% is based on the hourly wage paid, straight time rate or premium rate.

OVERTIME PAY

See (B, E, Q) on OVERTIME PAGE

NOTE: WAGE CAP...Double the straight time hourly base wage shall be the maximum hourly wage compensation for any hour worked. Contractor is still responsible to pay the hourly benefit amount for each hour worked.

HOLIDAY

Paid: See (1) on HOLIDAY PAGE
 Overtime: See (5, 6, 16) on HOLIDAY PAGE

6-1249LT - Teledata

Lineman Electrician - Traffic Signal, Lighting **07/01/2019**

JOB DESCRIPTION Lineman Electrician - Traffic Signal, Lighting **DISTRICT 6**

ENTIRE COUNTIES

Albany, Allegany, Broome, Cattaraugus, Cayuga, Chautauqua, Chemung, Chenango, Clinton, Cortland, Delaware, Erie, Essex, Franklin, Fulton, Genesee, Greene, Hamilton, Herkimer, Jefferson, Lewis, Livingston, Madison, Monroe, Montgomery, Niagara, Oneida, Onondaga, Ontario, Orleans, Oswego, Otsego, Rensselaer, Saratoga, Schenectady, Schoharie, Schuyler, Seneca, St. Lawrence, Steuben, Sullivan, Tioga, Tompkins, Warren, Washington, Wayne, Wyoming, Yates

WAGES

Lineman/Technician shall perform all overhead aerial work. A Lineman/Technician on the ground will install all electrical panels, connect all grounds, install and connect all electrical conductors which includes, but is not limited to road loop wires; conduit and plastic or other type pipes that carry conductors, flex cables and connectors, and to oversee the encasement or burial of such conduits or pipes.

A Groundman/Groundman Truck Driver shall: Build and set concrete forms, handle steel mesh, set footer cages, transport concrete in a wheelbarrow, hand or machine concrete vibrator, finish concrete footers, mix mortar, grout pole bases, cover and maintain footers while curing in cold weather, operate jack hammer, operate hand pavement breaker, tamper, concrete and other motorized saws, as a drill helper, operate and maintain generators, water pumps, chainsaws, sand blasting, operate mulching and seeding machine, air tools, electric tools, gas tools, load and unload materials, hand shovel and/or broom, prepare and pour mastic and other fillers, assist digger operator equipment operator in ground excavation and restoration, landscape work and painting. Only when assisting a lineman technician, a groundman/groundman truck driver may assist in installing conduit, pipe, cables and equipment.

A flagger's duties shall consist of traffic control only.
 (Ref #14.01.01)

Per hour:	07/01/2019	05/04/2020
Lineman, Technician	\$ 45.00	\$ 46.20
Crane, Crawler Backhoe	45.00	46.20
Certified Welder	47.25	48.51
Digging Machine	40.50	41.58
Tractor Trailer Driver	38.25	39.27
Groundman, Truck Driver	36.00	36.96
Equipment Mechanic	36.00	36.96
Flagman	27.00	27.72

Above rates applicable on all Lighting and Traffic Signal Systems with the installation, testing, operation, maintenance and repair of all traffic control and illumination projects, traffic monitoring systems, road weather information systems and the installation of Fiber Optic Cable.

NOTE: THE FOLLOWING RATES WILL APPLY ON ALL CONTRACTING AGENCY MANDATED MULTIPLE SHIFTS OF AT LEAST FIVE (5) DAYS DURATION WORKED BETWEEN THE HOURS LISTED BELOW:

1ST SHIFT	8:00 AM TO 4:30 PM	REGULAR RATE
2ND SHIFT	4:30 PM TO 1:00 AM	REGULAR RATE PLUS 17.3%
3RD SHIFT	12:30 AM TO 9:00 AM	REGULAR RATE PLUS 31.4%

**** IMPORTANT NOTICE ****

Four (4), ten (10) hour days may be worked at straight time during a week, Monday thru Thursday. Friday may be used as a make-up day.
 *Effective 05/06/2013, Tuesday thru Friday may be worked with no make-up day.

NOTE - In order to use the '4 Day/10 Hour Work schedule', as your normal schedule, you must submit an 'Employer Registration for Use of 4 Day/10 Hour Work Schedule,' form PW30.1; and there must be a dispensation of hours in place on the project. If the PW30.1 is not submitted you may be liable for overtime payments for work over 8 hours per day.

SUPPLEMENTAL BENEFITS

Per hour worked (but also required on non-worked holidays):

Journeyman	\$ 24.15	\$ 24.90
	*plus 6.75% of hourly wage	*plus 6.75% of hourly wage

*The 6.75% is based on the hourly wage paid, straight time rate or premium rate.
Supplements paid at STRAIGHT TIME rate for holidays.

OVERTIME PAY

See (B, E, Q) on OVERTIME PAGE. *Note* Double time for all emergency work designated by the Dept. of Jurisdiction.
NOTE: WAGE CAP...Double the straight time hourly base wage shall be the maximum hourly wage compensation for any hour worked.
Contractor is still responsible to pay the hourly benefit amount for each hour worked.

HOLIDAY

Paid: See (5, 6, 8, 13, 25) on HOLIDAY PAGE plus Governor of NYS Election Day.
Overtime: See (5, 6, 8, 13, 25) on HOLIDAY PAGE plus Governor of NYS Election Day.

NOTE: All paid holidays falling on Saturday shall be observed on the preceding Friday. All paid holidays falling on Sunday shall be observed on the following Monday. Supplements for holidays paid at straight time.

REGISTERED APPRENTICES

WAGES: Per hour. 1000 hour terms.

	07/01/2019	05/04/2020
1st term	\$ 27.00	\$ 27.72
2nd term	29.25	30.03
3rd term	31.50	32.34
4th term	33.75	34.65
5th term	36.00	36.96
6th term	38.25	39.27
7th term	40.50	41.58

SUPPLEMENTAL BENEFITS: Same as Journeyman

6-1249a-LT

Lineman Electrician - Tree Trimmer

07/01/2019

JOB DESCRIPTION Lineman Electrician - Tree Trimmer

DISTRICT 6

ENTIRE COUNTIES

Albany, Allegany, Broome, Cattaraugus, Cayuga, Chautauqua, Chemung, Chenango, Clinton, Columbia, Cortland, Delaware, Dutchess, Erie, Essex, Franklin, Fulton, Genesee, Greene, Hamilton, Herkimer, Jefferson, Lewis, Livingston, Madison, Monroe, Montgomery, Niagara, Oneida, Onondaga, Ontario, Orange, Orleans, Oswego, Otsego, Putnam, Rensselaer, Rockland, Saratoga, Schenectady, Schoharie, Schuyler, Seneca, St. Lawrence, Steuben, Sullivan, Tioga, Tompkins, Ulster, Warren, Washington, Wayne, Wyoming, Yates

WAGES

Per hour:

Applies to line clearance, tree work and right-of-way preparation on all new or existing energized overhead or underground electrical, telephone and CATV lines. This also would include stump removal near underground energized electrical lines, including telephone and CATV lines.

07/01/2019

Tree Trimmer	\$ 25.79
Equipment Operator	22.81
Equipment Mechanic	22.81
Truck Driver	18.99
Groundman	15.64
Flag person	11.27

SUPPLEMENTAL BENEFITS

Per hour worked (but also required on non-worked holidays):

Journeyman	\$ 9.98
	*plus 3% of hourly wage

* The 3% is based on the hourly wage paid, straight time rate or premium rate.

OVERTIME PAY

See (B, E, Q) on OVERTIME PAGE
NOTE: WAGE CAP...Double the straight time hourly base wage shall be the maximum hourly wage compensation for any hour worked.
Contractor is still responsible to pay the hourly benefit amount for each hour worked.

HOLIDAY

Paid: See (5, 6, 8, 15, 16, 25) on HOLIDAY PAGE
Overtime: See (5, 6, 8, 15, 16, 25) on HOLIDAY PAGE

NOTE: All paid holidays falling on a Saturday shall be observed on the preceding Friday.
All paid holidays falling on a Sunday shall be observed on the following Monday.

6-1249TT

Mason - Building

07/01/2019

JOB DESCRIPTION Mason - Building

DISTRICT 12

ENTIRE COUNTIES

Albany, Clinton, Columbia, Essex, Franklin, Fulton, Greene, Hamilton, Montgomery, Rensselaer, Saratoga, Schenectady, Schoharie, Warren, Washington

WAGES

Per hour 07/01/2019

Tile/Marble/Terrazzo

Setter \$ 35.46
Finisher 27.71

Four (4), ten (10) hour days may be worked at straight time during a week, Monday thru Thursday. Friday may be used as a make-up day.

NOTE - In order to use the '4 Day/10 Hour Work Schedule,' as your normal schedule, you must submit an 'Employer Registration for Use of 4 Day/10 Hour Work Schedule,' form PW30.1; and there must be a dispensation of hours in place on the project. If the PW30.1 is not submitted you may be liable for overtime payments for work over 8 hours per day.

SUPPLEMENTAL BENEFITS

Per hour worked

Journeyman Setter \$ 19.98
Journeyman Finisher 17.24

OVERTIME PAY

See (B, E, E2, Q) on OVERTIME PAGE

HOLIDAY

Paid: See (1) on HOLIDAY PAGE
Overtime: See (5, 6) on HOLIDAY PAGE

REGISTERED APPRENTICES

Wages per hour

Hour Terms at the following percentage of Journeyman's wage

Setter:
1st term 0-500 hrs 60%
2nd term 501-1500 hrs 70%
3rd term 1501-2500 hrs 80%
4th term 2501-3500 hrs 85%
5th term 3501-4500 hrs 90%
6th term 4501-6000 hrs 95%

Finisher:
1st term 0-500 hrs 70%
2nd term 501-1500 hrs 80%
3rd term 1501-2500 hrs 90%
4th term 2501-3700 hrs 95%

Supplemental Benefits per hour worked
07/01/2019

Setter:
1st term 0-500 hrs \$ 11.63
2nd term 501-1500 hrs 11.63
3rd term 1501-2500 hrs 15.85
4th term 2501-3500 hrs 15.85
5th term 3501-4500 hrs 17.97
6th term 4501-6000 hrs 19.98

Finisher:	
1st term 0-500 hrs	\$ 11.09
2nd term 501-1500 hrs	11.09
3rd term 1501-2500 hrs	14.21
4th term 2501-3700 hrs	14.21

12-2TS.1

Mason - Building

07/01/2019

JOB DESCRIPTION Mason - Building

DISTRICT 12

ENTIRE COUNTIES

Clinton, Essex, Franklin

PARTIAL COUNTIES

Warren: Only the Townships of Chester, Hague, Horicon and Johnsburg.

WAGES

Per hour 07/01/2019

Bricklayer	\$ 32.84
Cement Finisher	32.84
Plasterer/Fireproofers*	32.84
Pointer/Caulker/Cleaner	32.84
Stone Mason	32.84
Acid Brick	33.84

(*)Fireproofers on Structural only.

Four (4), ten (10) hour days may be worked at straight time during a week, Monday thru Thursday. Friday may be used as a make-up day.

NOTE - In order to use the '4 Day/10 Hour Work Schedule,' as your normal schedule, you must submit an 'Employer Registration for Use of 4 Day/10 Hour Work Schedule,' form PW30.1; and there must be a dispensation of hours in place on the project. If the PW30.1 is not submitted you may be liable for overtime payments for work over 8 hours per day.

SUPPLEMENTAL BENEFITS

Per hour worked

Journeyman \$ 19.62

OVERTIME PAY

See (B, E, E2, Q) on OVERTIME PAGE

HOLIDAY

Paid: See (1) on HOLIDAY PAGE

Overtime: See (5, 6) on HOLIDAY PAGE

Note: Any holiday which occurs on Sunday shall be observed the following Monday.

REGISTERED APPRENTICES

Wages per hour

750 hr terms at the following percentage of Journeyman's wage

1st	2nd	3rd	4th	5th	6th	7th	8th
55%	60%	65%	70%	75%	80%	85%	90%

Supplemental Benefits per hour worked

0-500 Hours	\$ 11.77
All others	\$ 19.62

12-2b.8

Mason - Heavy&Highway

07/01/2019

JOB DESCRIPTION Mason - Heavy&Highway

DISTRICT 12

ENTIRE COUNTIES

Albany, Cayuga, Clinton, Columbia, Essex, Franklin, Fulton, Greene, Hamilton, Herkimer, Jefferson, Lewis, Madison, Montgomery, Oneida, Oswego, Rensselaer, Saratoga, Schenectady, Schoharie, St. Lawrence, Warren, Washington

PARTIAL COUNTIES

Onondaga: For Heavy & Highway Cement Mason or Plaster Work in Onondaga County, refer to Mason-Heavy&Highway tag 1-2h/h on.

WAGES

Per hour
 07/01/2019
 Mason &
 Bricklayer \$38.24

Additional \$1.00 per hour for work on any swing scaffold or staging suspended by means of ropes or cables.

SUPPLEMENTAL BENEFITS

Per hour worked

Journeyman
 \$ 19.90

OVERTIME PAY

See (B, E, E2, Q) on OVERTIME PAGE

HOLIDAY

Paid: See (1) on HOLIDAY PAGE
 Overtime: See (5, 6) on HOLIDAY PAGE

Note: If a holiday falls on Sunday, the Monday following shall constitute the day of the legal holiday.

REGISTERED APPRENTICES

Wages per hour

750 HR TERMS at the following percent of Journeyman's wage

1st	2nd	3rd	4th	5th	6th	7th	8th
55%	60%	65%	70%	75%	80%	85%	90%

Supplemental Benefits per hour worked

\$ 19.90

12-2hh.1

Millwright

07/01/2019

JOB DESCRIPTION Millwright

DISTRICT 2

ENTIRE COUNTIES

Clinton, Essex, Franklin, Hamilton, Jefferson, Lewis, Oneida, Onondaga, Oswego, St. Lawrence, Warren, Washington

WAGES

Per hour:	07/01/2019	07/01/2020
		Additional
Building	\$ 28.59	\$ 1.25
Heavy & Highway	30.59	1.25

NOTE ADDITIONAL PREMIUMS PAID FOR THE FOLLOWING WORK LISTED BELOW (amount subject to any overtime premiums):

- Certified Welders shall receive \$1.75 per hour in addition to the current Millwrights rate provided he/she is directed to perform certified welding.
- For Building work if a work site has been declared a hazardous site by the Owner and the use of protective gear (including, as a minimum, air purifying canister-type chemical respirators) are required, then that employee shall receive a \$1.50 premium per hour for Building work.
- For Heavy & Highway work if the work is performed at a State or Federally designated hazardous waste site where employees are required to wear protective gear, the employees performing the work shall receive an additional \$2.00 per hour over the millwright heavy and highway wage rate for all hours worked on the day protective gear was worn.
- An employee performing the work of a machinist shall receive \$2.00 per hour in addition to the current Millwrights rate. For the purposes of this premium to apply, a "machinist" is a person who uses a lathe, Bridgeport, milling machine or similar type of tool to make or modify parts.
- When performing work underground at 500 feet and below, the employee shall receive an additional \$0.50. This amount will increase to \$1.00 on 7/1/2020.

SUPPLEMENTAL BENEFITS

Per hour:

Journeyman \$ 23.30

OVERTIME PAY

See (B, E, *E2, Q) on OVERTIME PAGE

*Note - Saturday may be used as a make-up day and worked at the straight time rate of pay during a work week when conditions such as weather, power failure, fire, or natural disaster prevent the performance of work on a regular scheduled work day.

HOLIDAY

Paid: See (1) on HOLIDAY PAGE

Overtime: See (5, 6) on HOLIDAY PAGE

Note: Any holiday that falls on Sunday shall be observed the following Monday. Any holiday that falls on Saturday shall be observed the preceding Friday.

REGISTERED APPRENTICES

Wages per hour:

(1)year terms at the following percentage of journeymans rate.

1st	2nd	3rd	4th
60%	70%	80%	90%

Supplemental Benefits per hour:

Apprentices:

1st term	\$ 10.60
2nd term	19.49
3rd term	20.76
4th term	22.03

2-1163.2

Operating Engineer - Building

07/01/2019

JOB DESCRIPTION Operating Engineer - Building

DISTRICT 1

ENTIRE COUNTIES

Albany, Clinton, Columbia, Essex, Franklin, Fulton, Greene, Hamilton, Herkimer, Montgomery, Otsego, Rensselaer, Saratoga, Schenectady, Schoharie, Warren, Washington

PARTIAL COUNTIES

Dutchess: Defined as north of the northern boundary line of City of Poughkeepsie then due east to Route 115 to Bedelt Road then east along Bedelt Road to VanWagner Road then north along VanWagner Road to Bower Road then east along Bower Road to Rte. 44 east to Route 343 then along Route 343 east to the northern boundary of Town of Dover Plains and east along the northern boundary of Town of Dover Plains to Connecticut.

WAGES

CLASS A1:

Crane, hydraulic cranes, tower crane, locomotive crane, piledriver, cableway, derricks,whirlies, dragline, boom trucks over 5 tons.

CLASS A:

Shovel, all Excavators (including rubber tire full swing), Gradalls, power road grader, all CMI equipment, front-end rubber tire loader, tractor-mounted drill (quarry master), mucking machine, concrete central mix plant, concrete pump, belcrete system, automated asphalt concrete plant, and tractor road paver, boom trucks 5 tons and under, maintenance engineer, self-contained crawler drill-hydraulic rock drill.

CLASS B:

Backhoes (rubber tired backhoe/loader combination), bulldozer, pushcat, tractor, traxcavator, scraper, LeTourneau grader, form fine grader, self-propelled soil compactor (fill roller), asphalt roller, blacktop spreader, power brooms, sweepers, trenching machine, Barber Green loader, side booms, hydro hammer, concrete spreader, concrete finishing machine, one drum hoist, power hoisting (single drum), hoist two drum or more, three drum engine, power hoisting (two drum and over), two drum and swinging engine, three drum swinging engine, hod hoist, A-L frame winches, core and well drillers (one drum), post hole digger, model CHB Vibro-Tamp or similar machine, batch bin and plant operator, dinky locomotive, skid steer loader, track excavator 5/8 cubic yard or smaller, front end rubber tired loader under four cubic yards, vacuum machine (mounted or towed).

CLASS C:

Fork lift, high lift, all terrain fork lift: or similar, oiler, fireman and heavy-duty greaser, boilers and steam generators, pump, vibrator, motor mixer, air compressor, dust collector, welding machine, well point, mechanical heater, generators, temporary light plants, electric submersible pumps 4" and over, murphy type diesel generator, conveyor, elevators, concrete mixer, beltcrete power pack (belcrete system), seeding, and mulching machines, pumps.

* In the event that equipment listed above is operated by robotic control, the classification covering the operation will be the same as if manually operated.

WAGES per hour

	07/01/2019	07/01/2020	07/01/2021
Class # A1	\$ 44.68	45.67	46.71
Class # A	44.19	45.18	46.22
Class # B	43.17	44.16	45.20
Class # C	40.27	41.26	42.30

Additional \$0.50 per hr for Tower Cranes.

Additional \$1.25 per hr for Cranes with Boom length & jib 150ft. and over.

Additional \$2.25 per hr for Cranes with Boom length & jib 200ft. and over.
 Additional \$2.50 per hr over B rate for Nuclear Leader work.
 Additional \$0.40 per hr for tunnel or excavation of shaft 40' or more deep.
 Additional \$2.50 per hour if work requires Personal Protective Equipment for hazardous waste site activities with a level C or over rating.

SUPPLEMENTAL BENEFITS

Per hour	07/01/2019	07/01/2020	07/01/2021
Journeyman	\$ 27.10	28.25	29.40

OVERTIME PAY

See (B, E, Q) on OVERTIME PAGE

HOLIDAY

Paid: See (1) on HOLIDAY PAGE
 Overtime: See (5, 6) on HOLIDAY PAGE

Note: If a holiday falls on Sunday, it will be celebrated on Monday. If the holiday falls on Saturday, it will be celebrated on Friday. Employees who work a Saturday holiday shall be paid double time plus 8 hours of straight time.

REGISTERED APPRENTICES

Wages per hour

1000 hours terms at the following percentage of Journeyman's wage Class B

1st	2nd	3rd	4th
60%	70%	80%	90%

Supplemental Benefits per hour worked

	07/01/2019	07/01/2020	07/01/2021
All terms	\$ 22.40	28.25	29.40

1-158 Alb

Operating Engineer - Heavy&Highway

07/01/2019

JOB DESCRIPTION Operating Engineer - Heavy&Highway

DISTRICT 1

ENTIRE COUNTIES

Albany, Broome, Chenango, Clinton, Columbia, Essex, Franklin, Fulton, Greene, Hamilton, Herkimer, Montgomery, Otsego, Rensselaer, Saratoga, Schoenectady, Schoharie, Tioga, Warren, Washington

PARTIAL COUNTIES

Dutchess: Defined as north of the northern boundary line of City of Poughkeepsie then due east to Route 115 to Bedelt Road then east along Bedelt Road to VanWagner Road then north along VanWagner Road to Bower Road then east along Bower Road to Rte. 44 east to Route 343 then along Route 343 east to the northern boundary of Town of Dover Plains and east along the northern boundary of Town of Dover Plains to Connecticut.

WAGES

CLASSIFICATION A:

Asphalt Curb Machine (Self Propelled, Slipform), Asphalt Paver, Automated Concrete Spreader (CMI Type), Automatic Fine Grader, Backhoe (Except Tractor Mounted, Rubber Tired), Backhoe Excavator Full Swing (CAT 212 or similar type), Back Filling Machine, Belt Placer (CMI Type), Blacktop Plant (Automated), Boom truck, GPS operated Bull Dozer, Cableway, Caisson Auger, Central Mix Concrete Plant (Automated), Concrete Curb Machine (Self Propelled, Slipform), Concrete Pump, Crane, Cherry Picker, Derricks (steel erection), Dragline, Overhead Crane (Gantry or Straddle type), Pile Driver, Truck Crane, Directional Drilling Machine, Dredge, Dual Drum Paver, Excavator (All PurposeHydraulically Operated) (Gradall or Similar), Front End Loader (4 cu. yd. and Over), Head Tower (Sauerman or Equal), Hoist (Two or Three Drum), Holland Loader, Maintenance Engineer, Mine Hoist, Mucking Machine or Mole, Pavement Breaker(SP) Wertgen; PB-4 and similar type, Power Grader, Profiler (over 105 H.P.), Quad 9, Quarry Master (or equivalent), Scraper, Shovel, Side Boom, Slip Form Paver (If a second man is needed, he shall be an Oiler), Tractor Drawn BeltType Loader, Truck or Trailer Mounted Log Chipper (Self Feeder), Tug Operator (Manned Rented Equipment Excluded), Tunnel Shovel

CLASSIFICATION B:

Backhoe (Tractor Mounted, Rubber Tired), Bituminous Recycler Machine, Bituminous Spreader and Mixer, Blacktop Plant (NonAutomated), Blast or Rotary Drill (Truck or Tractor Mounted), Brokk, Boring Machine, Cage Hoist, Central Mix Plant [(NonAutomated) and All Concrete Batching Plants], Concrete Paver (Over 16S), Crawler Drill (Self-contained), Crusher, Diesel Power Unit, Drill Rigs, Tractor Mounted, Front End Loader (Under 4 cu. yd.), Greaseman/Lubrication Engineer, HiPressure Boiler (15 lbs. and over), Hoist (One Drum), Hydro-Axe, Kolman Plant Loader and Similar Type Loaders (If Employer requires another man to clean the screen or to maintain the equipment, he shall be an Oiler), L.C.M. Work Boat Operator, Locomotive, Material handling knuckle boom, Mini Excavator (under 18,000 lbs.), Mixer (for stabilized base selfpropelled), Monorail Machine, Plant Engineer, Prentice Loader, Profiler (105 H.P. and under), Pug Mill, Pump Crete, Ready Mix Concrete Plant, Refrigeration Equipment (for soil stabilization), Road Widener, Roller (all above subgrade), Sea Mule, Self-contained Ride-on Rock Drill(Excluding Air-Track Type Drill), Skidder, Tractor with Dozer and/or Pusher, Trencher, Tugger Hoist, Vacuum machine (mounted or towed), Vermeer saw (ride on, any size or type), Welder

CLASSIFICATION C:

A Frame Winch Hoist on Truck, Articulated Heavy Hauler, Aggregate Plant, Asphalt or Concrete Grooving Machine (ride on), Ballast Regulator(Ride-on), Boiler (used in conjunction with production), Bituminous Heater (self-propelled), Boat (powered), Cement and Bin Operator, Concrete Pavement Spreader and Finisher Concrete Paver or Mixer (16' and under), Concrete Saw (self-propelled), Conveyor, Deck Hand, Directional Drill Machine Locator, Drill (Core and Well), Farm Tractor with accessories, Fine Grade Machine, Fireman, Fork Lift, Form Tamper, Grout Pump, Gunit Machine, Hammers (Hydraulic self-propelled), Hydra-Spiker (ride-on), Hydraulic Pump (jacking system), Hydro-Blaster (Water), Mulching Machine, Oiler, Parapet Concrete or Pavement Grinder, Post Hole Digger and Post Driver, Power Broom (towed), Power Heaterman, Power Sweeper, Revinus Widener, Roller (Grade and Fill), Scarifier (ride-on), Shell Winder, Skid steer loader (Bobcat or similar), Span-Saw (ride-on), Steam Cleaner, Tamper (ride-on), Tie Extractor (ride-on), Tie Handler (ride-on), Tie Inserter (ride-on), Tie Spacer (ride-on), Tire Repair, Track Liner (ride-on), Tractor, Tractor (with towed accessories), Vibratory Compactor, Vibro Tamp, Well Point, and the following hands-off equipment: Compressors, Dust Collectors, Generators, Pumps, Welding Machines, Light Plants and Heaters

- Note for all above classifications of Operating Engineer - In the event that equipment listed above is operated by robotic control, the classification covering the operation will be the same as if manually operated.

WAGES per hour

	07/01/2019	07/01/2020 Additional	07/01/2021 Additional
Master Mechanic	\$ 46.43	\$ 2.60	\$ 2.70
Class A*	44.82		
Class B	43.91		
Class C	41.34		

Additional \$2.50 per hour for All Employees who work a single irregular work shift starting from 5:00 PM to 1:00 AM that is mandated by the Contracting Agency.
 Additional \$2.50 per hr. for hazardous waste removal work on State and/or Federally designated waste site which require employees to wear Level C or above forms of personal protection.

(*) Premiums for CRANES is based upon Class A rates with the following premiums:

- Additional \$4.00 per hr for Tower Cranes, including self erecting.
- Additional \$3.00 per hr for Lattice Boom Cranes and all other cranes with a manufacturers rating of fifty (50) tons and over.
- Additional \$2.00 per hr for all Hydraulic Cranes and Derricks with a manufacturer's rating of 49 ton and below, including boom trucks.

Four (4), ten (10) hour days may be worked at straight time during a week, Monday thru Thursday. Friday may be used as a make-up day.

NOTE - In order to use the '4 Day/10 Hour Work schedule', as your normal schedule, you must submit an 'Employer Registration for Use of 4 Day/10 Hour Work Schedule,' form PW30.1; and there must be a dispensation of hours in place on the project. If the PW30.1 is not submitted you may be liable for overtime payments for work over 8 hours per day.

SUPPLEMENTAL BENEFITS

Per hour

Journeyman \$ 27.30

OVERTIME PAY

See (B, E, Q) on OVERTIME PAGE

HOLIDAY

Paid: See (5, 6) on HOLIDAY PAGE

Overtime: See (5, 6) on HOLIDAY PAGE

Note: If the holiday falls on Sunday, it will be celebrated on Monday. If the holiday falls on a Saturday, it will be celebrated on Saturday.

REGISTERED APPRENTICES

Wages per hour

1000 hours terms at the following percentage of Journeyman's wage Class B

1st	2nd	3rd	4th
60%	70%	80%	90%

Supplemental Benefits per hour worked

All Terms 07/01/2019
 \$ 22.70

1-158H/H Alb

JOB DESCRIPTION Operating Engineer - Marine Dredging

DISTRICT 4

ENTIRE COUNTIES

Albany, Bronx, Cayuga, Chautauqua, Clinton, Columbia, Dutchess, Erie, Essex, Franklin, Greene, Jefferson, Kings, Monroe, Nassau, New York, Niagara, Orange, Orleans, Oswego, Putnam, Queens, Rensselaer, Richmond, Rockland, St. Lawrence, Suffolk, Ulster, Washington, Wayne, Westchester

WAGES

These wages do not apply to Operating Engineers on land based construction projects. For those projects, please see the Operating Engineer Heavy/Highway Rates. The wage rates below for all equipment and operators are only for marine dredging work in navigable waters found in the counties listed above.

Per Hour:	07/01/2019	10/01/2019
CLASS A1 Deck Captain, Leverman Mechanical Dredge Operator Licensed Tug Operator 1000HP or more.	\$ 39.23	\$ 40.31
CLASS A2 Crane Operator (360 swing)	34.96	35.92
CLASS B Dozer, Front Loader Operator on Land	To conform to Operating Engineer Prevailing Wage in locality where work is being performed including benefits.	
CLASS B1 Derrick Operator (180 swing) Spider/Spill Barge Operator Operator II, Fill Placer, Engineer, Chief Mate, Electrician, Chief Welder, Maintenance Engineer Licensed Boat, Crew Boat Operator	33.93	34.86
CLASS B2 Certified Welder	31.94	32.82
CLASS C1 Drag Barge Operator, Steward, Mate, Assistant Fill Placer	31.07	31.92
CLASS C2 Boat Operator	30.06	30.89
CLASS D Shoreman, Deckhand, Oiler, Rodman, Scowman, Cook, Messman, Porter/Janitor	24.97	25.66

SUPPLEMENTAL BENEFITS

Per Hour:
 THE FOLLOWING SUPPLEMENTAL BENEFITS APPLY TO ALL CATEGORIES

	07/01/2019	10/01/2019
All Classes A & B	\$11.23 plus 7.5% of straight time wage, Overtime hours add \$ 0.63	\$11.88 plus 7.5% of straight time wage, Overtime hours add \$ 0.63
All Class C	\$10.93 plus 7.5% of straight time wage, Overtime hours add \$ 0.48	11.58 plus 7.5% of straight time wage, Overtime hours add \$ 0.48
All Class D	\$10.63 plus 7.5% of straight time wage, Overtime hours	11.28 plus 7.5% of straight time wage, Overtime hours

add \$ 0.33

add \$ 0.33

OVERTIME PAY

See (B2, F, R) on OVERTIME PAGE

HOLIDAY

Paid: See (1) on HOLIDAY PAGE

Overtime: See (5, 6, 8, 15, 26) on HOLIDAY PAGE

4-25a-MarDredge

Operating Engineer - Survey Crew

07/01/2019

JOB DESCRIPTION Operating Engineer - Survey Crew

DISTRICT 12

ENTIRE COUNTIES

Albany, Allegany, Broome, Cayuga, Chemung, Chenango, Clinton, Columbia, Cortland, Essex, Franklin, Fulton, Greene, Hamilton, Herkimer, Jefferson, Lewis, Livingston, Madison, Monroe, Montgomery, Niagara, Oneida, Onondaga, Ontario, Oswego, Otsego, Rensselaer, Saratoga, Schoenectady, Schoharie, Schuyler, Seneca, St. Lawrence, Steuben, Tioga, Tompkins, Warren, Washington, Wayne, Yates

PARTIAL COUNTIES

Dutchess: The northern portion of the county from the northern boundary line of the City of Poughkeepsie, north.

Genesee: Only the portion of the county that lies east of a line down the center of Route 98 to include all area that lies within the City of Batavia.

WAGES

These rates apply to Building, Tunnel and Heavy Highway.

Per hour:

SURVEY CLASSIFICATIONS:

Party Chief - One who directs a survey party.

Instrument Person - One who operates the surveying instruments.

Rod Person - One who holds the rods and assists the Instrument Person.

07/01/2019

Party Chief	\$ 41.51
Instrument Person	39.15
Rod Person	27.10

Additional \$3.00/hr. for Tunnel Work

Additional \$2.50/hr. for Hazardous Work Site

SUPPLEMENTAL BENEFITS

Per hour worked:

Journeyman	\$ 26.80
------------	----------

OVERTIME PAY

See (B, E, P, T) on OVERTIME PAGE

HOLIDAY

Paid: See (5, 6) on HOLIDAY PAGE

Overtime: See (5, 6) on HOLIDAY PAGE

REGISTERED APPRENTICES

WAGES: 1000 hour terms based on the Percentage of Rod Persons Wage:

07/01/2019

0-1000	60%
1001-2000	70%
2001-3000	80%

SUPPLEMENTAL BENEFIT per hour worked:

0-1000	\$ 16.21
1001-2000	18.92
2001-3000	21.63

12-158-545 D.H.H.

Operating Engineer - Survey Crew - Consulting Engineer

07/01/2019

JOB DESCRIPTION Operating Engineer - Survey Crew - Consulting Engineer

DISTRICT 12

ENTIRE COUNTIES

Albany, Allegany, Broome, Cayuga, Chemung, Chenango, Clinton, Columbia, Cortland, Essex, Franklin, Fulton, Greene, Hamilton, Herkimer, Jefferson, Lewis, Livingston, Madison, Monroe, Montgomery, Niagara, Oneida, Onondaga, Ontario, Oswego, Otsego, Rensselaer, Saratoga, Schenectady, Schoharie, Schuyler, Seneca, St. Lawrence, Steuben, Tioga, Tompkins, Warren, Washington, Wayne, Yates

PARTIAL COUNTIES

Dutchess: The northern portion of the county from the northern boundary line of the City of Poughkeepsie, north.
Genesee: Only the portion of the county that lies east of a line down the center of Route 98 to include all area that lies within the City of Batavia.

WAGES

These rates apply to feasibility and preliminary design surveying, line and grade surveying for inspection or supervision of construction when performed under a Consulting Engineer Agreement.

Per hour:

SURVEY CLASSIFICATIONS:

- Party Chief - One who directs a survey party.
- Instrument Person - One who operates the surveying instruments.
- Rod Person - One who holds the rods and assists the Instrument Person.

07/01/2019

Party Chief	\$ 42.86
Instrument Person	39.37
Rod Person	29.14

Additional \$3.00/hr. for Tunnel Work.
Additional \$2.50/hr. for EPA or DEC certified toxic or hazardous waste work.

SUPPLEMENTAL BENEFITS

Per hour worked:

Journeyman	\$ 25.60
------------	----------

OVERTIME PAY

See (B, E, P, T) on OVERTIME PAGE

HOLIDAY

Paid: See (5, 6) on HOLIDAY PAGE
Overtime: See (5, 6) on HOLIDAY PAGE

REGISTERED APPRENTICES

WAGES: 1000 hour terms based on percentage of Rod Persons Wage:

07/01/2019

0-1000	60%
1001-2000	70%
2001-3000	80%

SUPPLEMENTAL BENEFIT per hour worked:

0-1000	\$ 17.43
1001-2000	\$ 20.35
2001-3000	\$ 23.26

12-158-545 DCE

Operating Engineer - Tunnel

07/01/2019

JOB DESCRIPTION Operating Engineer - Tunnel

DISTRICT 7

ENTIRE COUNTIES

Albany, Allegany, Broome, Cayuga, Chemung, Chenango, Clinton, Columbia, Cortland, Essex, Franklin, Fulton, Greene, Hamilton, Herkimer, Jefferson, Lewis, Livingston, Madison, Monroe, Montgomery, Oneida, Onondaga, Ontario, Oswego, Otsego, Rensselaer, Saratoga, Schenectady, Schoharie, Schuyler, Seneca, St. Lawrence, Steuben, Tioga, Tompkins, Warren, Washington, Wayne, Yates

PARTIAL COUNTIES

Dutchess: Northern part of Dutchess to the northern boundary line of the City of Poughkeepsie then due east to Route 115 to Bedelt Road then east along Bedelt Road to VanWagner Road then north along VanWagner Road to Bower Road then east along Bower Road to Rte. 44 east to Rte. 343 then along Rte. 343 east to the northern boundary of the Town of Dover Plains and east along the northern boundary of the Town of Dover Plains to Connecticut.

Genesee: Only that portion of the county that lies east of a line drawn down the center of Route 98 and the entirety of the City of Batavia.

WAGES

CLASS A: Automatic Concrete Spreader (CMI Type); Automatic Fine Grader; Backhoe (except tractor mounted, rubber tired); Belt Placer (CMI Type); Blacktop Plant (automated); Cableway; Caisson Auger; Central Mix Concrete Plant (automated); Concrete Curb Machine (self-propelled slipform); Concrete Pump (8" or over); Dredge; Dual Drum Paver; Excavator; Front End Loader (4 cu. yd & over); Gradall; Head Tower (Sauerman or Equal); Hoist (shaft); Hoist (two or three Drum); Log Chipper/Loader (self-feeder); Maintenance Engineer (shaft and tunnel); any Mechanical Shaft Drill; Mine Hoist; Mining Machine (Mole and similar types); Mucking Machine or Mole; Overhead Crane (Gantry or Straddle Type); Pile Driver; Power Grader; Remote Controlled Mole or Tunnel Machine; Scraper; Shovel; Side Boom; Slip Form Paver (If a second man is needed, they shall be an Oiler); Tripper/Maintenance Engineer (shaft & tunnel); Tractor Drawn Belt-Type Loader; Tug Operator (manned rented equipment excluded); Tunnel Shovel

CLASS B: Automated Central Mix Concrete Plant; Backhoe (topside); Backhoe (track mounted, rubber tired); Backhoe (topside); Bituminous Spreader and Mixer, Blacktop Plant (non-automated); Blast or Rotary Drill (truck or tractor mounted); Boring Machine; Cage Hoist; Central Mix Plant (non-automated); all Concrete Batching Plants; Compressors (4 or less exceeding 2,000 c.f.m. combined capacity); Concrete Pump; Crusher; Diesel Power Unit; Drill Rigs (tractor mounted); Front End Loader (under 4 cu. yd.); Grayco Epoxy Machine; Hoist (One Drum); Hoist (2 or 3 drum topside); Knuckle Boom material handler; Kolman Plant Loader & similar type Loaders (if employer requires another person to clean the screen or to maintain the equipment, they shall be an Oiler); L.C.M. Work Boat Operator; Locomotive; Maintenance Engineer (topside); Maintenance Grease Man; Mixer (for stabilized base-self propelled); Monorail Machine; Plant Engineer; Personnel Hoist; Pump Crete; Ready Mix Concrete Plant; Refrigeration Equipment (for soil stabilization); Road Widener; Roller (all above sub-grade); Sea Mule; Shotcrete Machine; Shovel (topside); Tractor with Dozer and/or Pusher; Trencher; Tugger Hoist; Tunnel Locomotive; Welder; Winch; Winch Cat

CLASS C: A Frame Truck; All Terrain Telescoping Material Handler; Ballast Regulator (ride-on); Compressors (4 not to exceed 2,000 c.f.m. combined capacity; or 3 or less with more than 1200 c.f.m. but not to exceed 2,000 c.f.m.); Compressors ((any size, but subject to other provisions for compressors), Dust Collectors, Generators, Pumps, Welding Machines, Light Plants (4 or any type combination)); Concrete Pavement Spreaders and Finishers; Conveyor; Drill (core); Drill (well); Electric Pump used in conjunction with Well Point System; Farm Tractor with Accessories; Fine Grade Machine; Fork Lift; Grout Pump (over 5 cu. ft.); Gunite Machine; Hammers (hydraulic-self-propelled); Hydra-Spiker (ride-on); Hydra-Blaster (water); Hydro-Blaster; Motorized Form Carrier; Post Hole Digger and Post Driver; Power Sweeper; Roller grade & fill); Scarifer (ride-on); Span-Saw (ride-on); Submersible Electric Pump (when used in lieu of well points); Tamper (ride-on); Tie-Extractor (ride-on), Tie Handler (ride-on), Tie Inserter (ride-on), Tie Spacer (ride-on); Track Liner (ride-on); Tractor with towed accessories; Vibratory Compactor; Vibro Tamp, Well Point

CLASS D: Aggregate Plant; Cement & Bin Operator; Compressors (3 or less not to exceed 1,200 c.f.m. combined capacity); Compressors ((any size, but subject to other provisions for compressors), Dust Collectors, Generators, Pumps, Welding Machines, Light Plants (3 or less or any type or combination)); Concrete Saw (self-propelled); Form Tamper; Greaseman; Hydraulic Pump (jacking system); Junior Engineer; Light Plants; Mulching Machine; Oiler; Parapet Concrete or Pavement Grinder; Power Broom (towed); Power Heaterman (when used for production); Revinus Widener; Shell Winder; Steam Cleaner; Tractor

WAGES per hour:

	07/01/2019	07/01/2020	07/01/2021	07/01/2022
Master Mechanic	\$ 48.00	\$ 49.45	\$ 51.00	\$ 52.60
CLASS A	45.59	47.04	48.59	50.19
CLASS B	44.37	45.82	47.37	48.97
CLASS C	41.58	43.03	44.58	46.18
CLASS D	38.57	40.02	41.57	43.17

Additional \$5.00 per hour for Hazardous Waste Work on a state or federally designated hazardous waste site where the Operating Engineer is in direct contact with hazardous material and when personal protective equipment is required for respiratory, skin and eye protection. Fringe benefits will be paid at the hourly wage premium.

CRANES:

Crane 1: All cranes, including self-erecting to be paid \$4.00 per hour over the Class A rate.

Crane 2: All Lattice Boom Cranes and all cranes with a manufacturer's rating of fifty (50) ton and over to be paid \$3.00 per hour over Class A rate.

Crane 3: All hydraulic cranes and derricks with a manufacturer's rating of forty nine (49) ton and below, including boom trucks, to be paid \$2.00 per hour over Class A rate.

Crane 1	\$ 49.59	\$ 51.04	\$ 52.59	\$ 54.19
Crane 2	48.59	50.04	51.59	53.19
Crane 3	47.59	49.04	50.59	52.19

SUPPLEMENTAL BENEFITS

Per hour:	\$ 28.40	\$ 30.75	\$ 31.90	\$ 33.05
-----------	----------	----------	----------	----------

OVERTIME PAY

See (B, B2, E, Q, X) on OVERTIME PAGE

HOLIDAY

Paid: See (5, 6) on HOLIDAY PAGE
 Overtime: See (5, 6) on HOLIDAY PAGE

If a holiday falls on Sunday, it shall be observed on Monday.

REGISTERED APPRENTICES

WAGES:(1000) hours terms at the following percentage of Journeyman's wage.

1st term	60% of Class B
2nd term	65% of Class B
3rd term	70% of Class B
4th term	75% of Class B

SUPPLEMENTAL BENEFITS per hour paid: Same as Journeyman

7-158-832TL.

Painter **07/01/2019**

JOB DESCRIPTION Painter

DISTRICT 1

ENTIRE COUNTIES

Albany, Essex, Fulton, Hamilton, Montgomery, Rensselaer, Saratoga, Schenectady, Schoharie, Warren, Washington

WAGES

Per hour	07/01/2019	05/01/2020 Additional
Painter\Wallcover	\$ 29.09	\$1.50
Drywall Finishers	29.09	1.50
Spray Rate	29.09	1.50
Structural Steel*	30.09	1.50
Lead Abatement	30.09	1.50
Lead Abatement on Structural Steel	31.09	1.50

(*)Employees working on objects with the use of swing stage, boatswain chair, pick and cables only will be paid at Structural Steel rate.

Bridge Painter

See Bridge Painter rates for the following work:

All Bridges and Tanks

SUPPLEMENTAL BENEFITS

Per hour

Journeyman \$ 16.85

OVERTIME PAY

See (B, E2, H) on OVERTIME PAGE

HOLIDAY

Paid: See (1) on HOLIDAY PAGE

Overtime: See (5, 6) on HOLIDAY PAGE

Note: If the holiday falls on Sunday, it shall be observed on Monday.

REGISTERED APPRENTICES

Wages per hour

1000 hour terms at the following percentage of Journeyman's base wage

1st	2nd	3rd	4th	5th	6th
45%	50%	60%	70%	80%	90%

Supplemental Benefits per hour worked

All Terms \$ 16.85

1-201-P

Painter - Bridge & Structural Steel **07/01/2019**

JOB DESCRIPTION Painter - Bridge & Structural Steel

DISTRICT 8

ENTIRE COUNTIES

Albany, Bronx, Clinton, Columbia, Dutchess, Essex, Franklin, Fulton, Greene, Hamilton, Kings, Montgomery, Nassau, New York, Orange, Putnam, Queens, Rensselaer, Richmond, Rockland, Saratoga, Schenectady, Schoharie, Suffolk, Sullivan, Ulster, Warren, Washington, Westchester

WAGES

Per Hour:

STEEL:

Bridge Painting: 07/01/2019
\$ 49.50
+ 6.38*

ADDITIONAL \$6.00 per hour for POWER TOOL/SPRAY, whether straight time or overtime.

NOTE: All premium wages are to be calculated on base rate per hour only.

* For the period of May 1st to November 15th, this amount is payable up to 40 hours. For the period of Nov 16th to April 30th, this amount is payable up to 50 hours. EXCEPTION: First and last week of employment, and for the weeks of Memorial Day, Independence Day and Labor Day, where the amount is paid for the actual number of hours worked (no cap).

NOTE: Generally, for Bridge Painting Contracts, ALL WORKERS on and off the bridge (including Flagmen) are to be paid Painter's Rate; the contract must be ONLY for Bridge Painting.

SUPPLEMENTAL BENEFITS

Per Hour:

Journeyworker: 07/01/2019
\$ 9.50
+26.05*

* For the period of May 1st to November 15th, this amount is payable up to 40 hours. For the period of Nov 16th to April 30th, this amount is payable up to 50 hours. EXCEPTION: First and last week of employment, and for the weeks of Memorial Day, Independence Day and Labor Day, where the amount is paid for the actual number of hours worked (no cap).

OVERTIME PAY

See (A, F, R) on OVERTIME PAGE

HOLIDAY

Paid: See (1) on HOLIDAY PAGE
Overtime: See (4, 6) on HOLIDAY PAGE

REGISTERED APPRENTICES

Wage - Per hour:

Apprentices: (1) year terms 07/01/2019
1st year \$ 23.13
2nd year 34.73
3rd year 46.30

Supplemental Benefits - Per hour:

1st year \$ 13.44
2nd year 20.16
3rd year 26.88

8-DC-9/806/155-BrSS

Painter - Line Striping

07/01/2019

JOB DESCRIPTION Painter - Line Striping

DISTRICT 8

ENTIRE COUNTIES

Albany, Bronx, Clinton, Columbia, Dutchess, Essex, Franklin, Fulton, Greene, Hamilton, Kings, Montgomery, Nassau, New York, Orange, Putnam, Queens, Rensselaer, Richmond, Rockland, Saratoga, Schenectady, Schoharie, Suffolk, Sullivan, Ulster, Warren, Washington, Westchester

WAGES

Per hour:

Painter (Striping-Highway): 07/01/2019
Striping-Machine Operator* \$ 29.93
Linerman Thermoplastic \$ 36.06

Note: * Includes but is not limited to: Positioning of cones and directing of traffic using hand held devices. Excludes the Driver/Operator of equipment used in the maintenance and protection of traffic safety.

Four (4), ten (10) hour days may be worked at straight time during a week, Monday thru Thursday. Friday may be used as a make-up day.

NOTE - In order to use the '4 Day/10 Hour Work Schedule,' as your normal schedule, you must submit an 'Employer Registration for Use of 4 Day/10 Hour Work Schedule,' form PW30.1; and there must be a dispensation of hours in place on the project. If the PW30.1 is not submitted you may be liable for overtime payments for work over 8 hours per day.

SUPPLEMENTAL BENEFITS

Per hour paid: 07/01/2019
Journeyworker:

Striping-Machine operator \$ 7.44
Linerman Thermoplastic \$ 7.44

OVERTIME PAY

See (B, B2, E2, F, S) on OVERTIME PAGE

HOLIDAY

Paid: See (5, 20) on HOLIDAY PAGE
Overtime: See (5, 20) on HOLIDAY PAGE

REGISTERED APPRENTICES

One (1) year terms at the following wage rates:
07/01/2019

1st term \$ 11.97
2nd term 17.96
3rd term 23.94

Supplemental Benefits per hour:

1st term \$ 7.44
2nd term 7.44
3rd term 7.44

8-1456-LS

Painter - Metal Polisher

07/01/2019

JOB DESCRIPTION Painter - Metal Polisher

DISTRICT 8

ENTIRE COUNTIES

Albany, Allegany, Bronx, Broome, Cattaraugus, Cayuga, Chautauqua, Chemung, Chenango, Clinton, Columbia, Cortland, Delaware, Dutchess, Erie, Essex, Franklin, Fulton, Genesee, Greene, Hamilton, Herkimer, Jefferson, Kings, Lewis, Livingston, Madison, Monroe, Montgomery, Nassau, New York, Niagara, Oneida, Onondaga, Ontario, Orange, Orleans, Oswego, Otsego, Putnam, Queens, Rensselaer, Richmond, Rockland, Saratoga, Schenectady, Schoharie, Schuyler, Seneca, St. Lawrence, Steuben, Suffolk, Sullivan, Tioga, Tompkins, Ulster, Warren, Washington, Wayne, Westchester, Wyoming, Yates

WAGES

07/01/2019
Metal Polisher \$ 30.58
Metal Polisher* 31.53
Metal Polisher** 34.08

*Note: Applies on New Construction & complete renovation

** Note: Applies when working on scaffolds over 34 feet.

SUPPLEMENTAL BENEFITS

Per Hour: 07/01/2019

Journeyworker:
All classification \$ 7.72

OVERTIME PAY

See (B, E, P, T) on OVERTIME PAGE

HOLIDAY

Paid: See (5, 6, 11, 15, 16, 25, 26) on HOLIDAY PAGE
Overtime: See (5, 6, 9, 11, 15, 16, 25, 26) on HOLIDAY PAGE

REGISTERED APPRENTICES

Wages per hour:
One (1) year term at the following wage rates:

07/01/2019

1st year	\$ 15.00
2nd year	15.00
3rd year	15.75
1st year*	\$ 17.39
2nd year*	17.44
3rd year*	18.29
1st year**	\$ 19.50
2nd year**	19.50
3rd year**	20.25

*Note: Applies on New Construction & complete renovation

** Note: Applies when working on scaffolds over 34 feet.

Supplemental benefits:

Per hour:

1st year	\$ 5.52
2nd year	5.52
3rd year	5.52

8-8A/28A-MP

Plumber

07/01/2019

JOB DESCRIPTION Plumber

DISTRICT 1

ENTIRE COUNTIES

Essex

PARTIAL COUNTIES

Franklin: Entire County except for the Village of Hogansburg and the St. Regis Indian Reservation.

Hamilton: The Townships of Long Lake and Indian Lake

WAGES

Per hour

07/01/2019

Plumber & Steamfitter	\$ 38.50
--------------------------	----------

SUPPLEMENTAL BENEFITS

Per hour

Journeyman	\$ 20.55 +10.43*
------------	---------------------

* This portion of the benefit is subject to the SAME PREMIUM as shown for overtime and applicable to paid Holidays.

OVERTIME PAY

See (B, E, Q) on OVERTIME PAGE

HOLIDAY

Paid: See (22) on HOLIDAY PAGE

Overtime: See (5, 6, 16, 23) on HOLIDAY PAGE

Note: Whenever a Holiday falls on a Saturday, the preceding day, Friday, shall be observed as the Holiday. If a Holiday falls on a Sunday, the following day, Monday shall be observed as the Holiday.

REGISTERED APPRENTICES

Wages per hour

One year terms at the following percentage of Journeyman's wage

1st yr	50%
2nd yr	60%
3rd yr	70%
4th yr	80%
5th yr	90%

Supplemental Benefits per hour worked

1st yr	\$ 17.63 + 5.22*
2nd yr	18.21 + 6.26*
3rd yr	18.80 + 7.30*
4th yr	19.38 + 8.34*
5th yr	19.97 + 9.39*

* This portion of the benefit is subject to the SAME PREMIUM as shown for overtime.

* This portion per hour paid.

1-773EF-SF

Roofer **07/01/2019**

JOB DESCRIPTION Roofer

DISTRICT 1

ENTIRE COUNTIES

Albany, Clinton, Columbia, Essex, Fulton, Greene, Hamilton, Montgomery, Rensselaer, Saratoga, Schenectady, Warren, Washington

WAGES

Per hour

	07/01/2019	07/01/2020 Additional	07/01/2021 Additional
Roofer/Waterproofer	\$ 31.55	\$1.50	\$1.50
Asphalt Cold Process	32.05		
Fluid Applied Roof	32.05		
Pitch & Asbestos	33.55		

Shift Work:

On government mandated shift work starting after 12:00pm and before 4:00am workers shall be paid \$4.00 additional per hour

SUPPLEMENTAL BENEFITS

Per hour

Journeyman \$ 19.27

OVERTIME PAY

See (B, E, Q) on OVERTIME PAGE.

HOLIDAY

Paid: See (1) on HOLIDAY PAGE

Overtime: See (5, 6) on HOLIDAY PAGE

Note: When any Holiday falls on Saturday, the Friday before such Holiday shall be recognized as the legal Holiday. When a Holiday falls on Sunday, it shall be observed the following Monday.

REGISTERED APPRENTICES

Wages per hour

Apprentice terms at the following per cent of the Roofer/Waterproofer rate. For Pitch & Asbestos work, an additional \$2.00 must be paid in wages. For Asphalt Cold Process work and Fluid Applied Roof coating, an additional \$0.50 must be paid in the wages.

1st Term 58%
1500 hrs.

2nd Term 74%
1 yr. and 1500 hrs.

3rd Term 90%
1 yr. and 1050 hrs.

Supplemental Benefits per hour worked

1st Term	\$ 17.69
2nd Term	18.12
3rd Term	18.60

1-241

Sheetmetal Worker **07/01/2019**

JOB DESCRIPTION Sheetmetal Worker

DISTRICT 1

ENTIRE COUNTIES

Albany, Clinton, Columbia, Essex, Franklin, Fulton, Greene, Hamilton, Montgomery, Rensselaer, Saratoga, Schenectady, Schoharie, Warren, Washington

WAGES

Per hour	07/01/2019	06/01/2020	06/01/2021
		Additional	Additional
Sheetmetal Worker	\$33.16	\$ 1.75	\$ 1.75

All work requiring HAZWOPER Training additional \$1.00 per hour

SUPPLEMENTAL BENEFITS

Per hour

Journeyman	\$33.09
------------	---------

OVERTIME PAY

See (B,E,E5,Q) on OVERTIME PAGE

HOLIDAY

Paid: See (1) on HOLIDAY PAGE
 Overtime: See (5, 6) on HOLIDAY PAGE

When any holiday falls on Saturday, the Friday before such holiday shall be recognized as the legal holiday. Any holiday falling on Sunday, the following Monday shall be recognized as the legal holiday.

REGISTERED APPRENTICES

Wages per hour

6 Month Terms at the following rate:

1st term	\$18.44
2nd term	\$19.99
3rd term	\$20.77
4th term	\$21.55
5th term	\$20.34
6th term	\$21.35
7th term	\$23.04
8th term	\$24.73
9th term	\$26.41
10th term	\$28.10

Supplemental Benefits per hour worked

1st term	\$20.30
2nd term	20.88
3rd term	21.18
4th term	21.60
5th term	27.62
6th term	28.05
7th term	28.77
8th term	29.49
9th term	30.21
10th term	30.93

Sprinkler Fitter

07/01/2019

JOB DESCRIPTION Sprinkler Fitter

DISTRICT 1

ENTIRE COUNTIES

Allegany, Broome, Cattaraugus, Cayuga, Chautauqua, Chemung, Chenango, Clinton, Columbia, Cortland, Delaware, Erie, Essex, Franklin, Fulton, Genesee, Greene, Hamilton, Herkimer, Jefferson, Lewis, Livingston, Madison, Monroe, Montgomery, Niagara, Oneida, Onondaga, Ontario, Orleans, Oswego, Otsego, Schoharie, Schuyler, Seneca, St. Lawrence, Steuben, Tioga, Tompkins, Washington, Wayne, Wyoming, Yates

WAGES

Per hour	07/01/2019
Sprinkler Fitter	\$ 34.91

SUPPLEMENTAL BENEFITS

Per hour

Journeyman	\$ 24.93
------------	----------

OVERTIME PAY

See (B, E, Q) on OVERTIME PAGE

HOLIDAY

Paid: See (1) on HOLIDAY PAGE
 Overtime: See (5, 6) on HOLIDAY PAGE

Note: When a holiday falls on Sunday, the following Monday shall be considered a holiday and all work performed on either day shall be at the double time rate. When a holiday falls on Saturday, the preceding Friday shall be considered a holiday and all work performed on either day shall be at the double time rate.

REGISTERED APPRENTICES

Wages per hour

For Apprentices HIRED ON OR AFTER 04/01/2010:

One Half Year terms at the following percentage of journeyman's wage.

1st	2nd	3rd	4th	5th	6th	7th	8th	9th	10th
45%	50%	55%	60%	65%	70%	75%	80%	85%	90%

Supplemental Benefits per hour worked

1st	2nd	3rd	4th	5th	6th	7th	8th	9th	10th
\$ 9.18	\$ 9.22	\$ 17.89	\$ 17.93	\$ 18.48	\$ 18.52	\$ 18.57	\$ 18.61	\$ 18.66	\$ 18.70

For Apprentices HIRED ON OR AFTER 04/01/2013:

One Half Year terms at the following percentage of journeyman's wage.

1st	2nd	3rd	4th	5th	6th	7th	8th	9th	10th
45%	50%	55%	60%	65%	70%	75%	80%	85%	90%

Supplemental Benefits per hour worked

1st	2nd	3rd	4th	5th	6th	7th	8th	9th	10th
\$ 8.27	\$ 8.27	\$ 18.04	\$ 18.04	\$ 18.29	\$ 18.29	\$ 18.29	\$ 18.29	\$ 18.29	\$ 18.29

1-669

Teamster - Building **07/01/2019**

JOB DESCRIPTION Teamster - Building

DISTRICT 7

ENTIRE COUNTIES

Clinton, Essex, Franklin, Jefferson, St. Lawrence

PARTIAL COUNTIES

Lewis: Only the Townships of Croghan, Denmark, Diana, New Bremen, Harrisburg, Montague, Osceola and Pinckney.

Oswego: Only the Towns of Boylston, Redfield, and Sandy Creek.

Warren: Only the Townships of Hague, Horicon, Chester and Johnsburg.

WAGES

GROUP # 1: Fuel Trucks, Fork Lift (Warehouse & Storage Area Only), Bus, Warehouse, Yardman, Truck Helper, Pickups, Panel Truck, Flatbody Material Trucks (straight Jobs), Single axle Dump Trucks, Dumpsters, Material Checkers & Receivers, Greasers, Tiremen, Mechanic Helpers and Parts Chasers.

GROUP # 2: Tandems, Mechanics & Batch Trucks.

GROUP # 3: Semi Trailers, Low Boys, Asphalt Distributor Trucks, and Agitator Mixer Truck, Dump Crete Type Vehicles and 3 axle Dump trucks.

GROUP # 4: Asbestos Removal, Special earth moving Euclid type or similar off highway equip.(non self load.) Articulated and all-track dump trucks.

Wages per hour

07/01/2019

Building:

Group #1	\$ 23.58
Group #2	24.58
Group #3	24.68
Group #4	23.84

SUPPLEMENTAL BENEFITS

Per hour:

All groups \$ 21.51

OVERTIME PAY

See (B, E, Q) on OVERTIME PAGE

HOLIDAY

Paid: See (1) on HOLIDAY PAGE
Overtime: See (5, 6) on HOLIDAY PAGE

7-687B

Teamster - Heavy&Highway

07/01/2019

JOB DESCRIPTION Teamster - Heavy&Highway

DISTRICT 7

ENTIRE COUNTIES

Clinton, Essex, Franklin, Jefferson, St. Lawrence

PARTIAL COUNTIES

Lewis: Only the Townships of Croghan, Denmark, Diana, New Bremen, Harrisburg, Montague, Osceola and Pinckney.
Oswego: Only the Towns of Boylston, Redfield, and Sandy Creek.
Warren: Only the Townships of Hague, Horicon, Chester and Johnsburg.

WAGES

GROUP 1: Warehousemen, Yardmen, Truck Helpers, Pickups, Panel Trucks, Flatboy Material Trucks(straight jobs), Single Axle Dump Trucks, Dumpsters, Material Checkers and Receivers, Greasers, Truck Tirmen, Mechanics Helpers and Parts Chasers. Fork Lift (storage & warehouse areas only) Tandems and Batch Trucks, Mechanics, Dispatcher. Semi-Trailers, Low-boy Trucks, Asphalt Distributor Trucks, and Agitator, Mixer Trucks and dumpcrete type vehicles, Truck Mechanic, Fuel Truck.

GROUP 2: Specialized Earth Moving Equipment, Euclid type, or similar off-highway where not self-loading, Straddle (Ross) Carrier, and self-contained concrete mobile truck. Off-highway Tandem Back-Dump, Twin Engine Equipment and Double-Hitched Equipment where not self-loading.

Per hour:

07/01/2019

Heavy/Highway:

Group #1 \$ 25.82
Group #2 26.04

Additional \$1.50 per hour for hazardous waste removal work on a City, County, and/or Federal Designated waste site and regulations require employee to use or wear respiratory protection.

For work bid on or after April 1, 1982 there shall be a 12 month carryover of the negotiated rate in effect at the time of the bid.

SUPPLEMENTAL BENEFITS

Per hour:

All classes \$ 23.52

OVERTIME PAY

See (B, E, Q) on OVERTIME PAGE

HOLIDAY

Paid: See (5, 6) on HOLIDAY PAGE
Overtime: See (5, 6) on HOLIDAY PAGE

NOTE: If a holiday falls on a Sunday, it will be celebrated on Monday.

7-687

Welder

07/01/2019

JOB DESCRIPTION Welder

DISTRICT 1

ENTIRE COUNTIES

Albany, Allegany, Bronx, Broome, Cattaraugus, Cayuga, Chautauqua, Chemung, Chenango, Clinton, Columbia, Cortland, Delaware, Dutchess, Erie, Essex, Franklin, Fulton, Genesee, Greene, Hamilton, Herkimer, Jefferson, Kings, Lewis, Livingston, Madison, Monroe, Montgomery, Nassau, New York, Niagara, Oneida, Onondaga, Ontario, Orange, Orleans, Oswego, Otsego, Putnam, Queens, Rensselaer, Richmond, Rockland, Saratoga, Schenectady, Schoharie, Schuyler, Seneca, St. Lawrence, Steuben, Suffolk, Sullivan, Tioga, Tompkins, Ulster, Warren, Washington, Wayne, Westchester, Wyoming, Yates

WAGES

Per hour 07/01/2019

Welder: To be paid the same rate of the mechanic performing the work.*

*EXCEPTION: If a specific welder certification is required, then the 'Certified Welder' rate in that trade tag will be paid.

OVERTIME PAY

HOLIDAY

1-As Per Trade

Essex County Residential

Electrician - Residential **07/01/2019**

JOB DESCRIPTION Electrician - Residential **DISTRICT 6**

ENTIRE COUNTIES
 Clinton, Essex, Franklin, Jefferson, Lewis, St. Lawrence

WAGES

Per hour: 07/01/2019

Single Family Housing
 Residential Wireman \$ 16.21

Walk up apartments (1,2,3,4 story. No elevators)
 Residential Wireman \$ 20.70

SUPPLEMENTAL BENEFITS

Per hour:
 Journeyman-
 Single family \$ 12.50 plus
 4.5% of wage*

Journeyman-
 Walk up apartments \$ 13.75 plus
 4.5% of wage*

*NOTE: The 4.5% is based on the hourly wage paid, straight time rate or premium rate.

OVERTIME PAY

See (B, E, Q) on OVERTIME PAGE

NOTE: WAGE CAP...Double the straight time hourly base wage shall be the maximum hourly wage compensation for any hour worked.
 Contractor is still responsible to pay the hourly benefit amount for each hour worked.

HOLIDAY

Paid: See (1) on HOLIDAY PAGE
 Overtime: See (5, 6) on HOLIDAY PAGE

REGISTERED APPRENTICES

WAGES: Six month terms.	1st	2nd	3rd	4th	5th	6th
Single family housing:	\$10.54	\$11.35	\$12.16	\$12.97	\$13.78	\$14.59
Walk up apartments: (1,2,3,4 story. No elevators)	\$13.46	\$14.49	\$15.53	\$16.56	\$17.60	\$18.63

SUPPLEMENTAL BENEFITS: Same as Journeyman

6-910 r

Laborer - Residential **07/01/2019**

JOB DESCRIPTION Laborer - Residential **DISTRICT 7**

ENTIRE COUNTIES
 Clinton, Essex, Warren

WAGES

IMPORTANT NOTE: For the construction of one and two family homes, row housing and garden type homes or apartments, four stories or less, and "related" services including demolition, repair and alteration on any existing structure which is intended for residential use and all ancillary structures and services building relating to the residential structures.

Wages Per hour
 07/01/2019

All Classifications
 Laborer \$ 18.28

SUPPLEMENTAL BENEFITS

Per hour:

All Classifications \$ 22.45

OVERTIME PAY

See (B, E, E2, Q) on OVERTIME PAGE

HOLIDAY

Paid: See (1) on HOLIDAY PAGE
Overtime: See (5, 6) on HOLIDAY PAGE

REGISTERED APPRENTICES

WAGES: 1000 hour terms at the following percentage of Journeyman's wage.

1st	2nd	3rd	4th
60%	70%	80%	90%

SUPPLEMENTAL BENEFITS per hour worked:

All Terms: Same as Journeyman

7-1822r-ew

Mason - Residential

07/01/2019

JOB DESCRIPTION Mason - Residential

DISTRICT 12

ENTIRE COUNTIES

Albany, Clinton, Columbia, Essex, Franklin, Fulton, Greene, Hamilton, Montgomery, Rensselaer, Saratoga, Schenectady, Schoharie, Warren, Washington

WAGES

IMPORTANT NOTE: Applies to all rehabilitation work on residential structures. "Rehabilitation" shall be defined to include all work, including demolition, repair and alteration on any existing structure which is intended for residential use. On new housing, this article shall be applicable only to site construction of all new work done by the Employer on one (1) family, two (2) family, row housing and garden type homes or apartments which are not more than four (4) stories above ground level and are used as dwellings.

Per hour 07/01/2019

Bricklayer	\$ 26.49
Cement Mason	26.49
Plasterer	26.49
Point/Caulk/Clean	26.49
Acid Brick	26.99

SUPPLEMENTAL BENEFITS

Per hour worked

Journeyman \$ 17.83

OVERTIME PAY

See (B, E, E2, Q) on OVERTIME PAGE

HOLIDAY

Paid: See (1) on HOLIDAY PAGE
Overtime: See (5, 6) on HOLIDAY PAGE

12-2r.z1

Mason - Tile Setter & Finisher - Residential

07/01/2019

JOB DESCRIPTION Mason - Tile Setter & Finisher - Residential

DISTRICT 12

ENTIRE COUNTIES

Albany, Clinton, Columbia, Essex, Franklin, Fulton, Greene, Hamilton, Montgomery, Rensselaer, Saratoga, Schenectady, Schoharie, Warren, Washington

WAGES

IMPORTANT NOTE: Applies to the construction of one family, two family row housing, townhouses, apartments, condominiums and garden type projects or a combination thereof, together with related service buildings and facilities which construction work may be performed wholly on-site or may consist of the assembly of off-site produced modules or components but any of which living units are in the finished form no more than two (2) stories high and are to be utilized solely as dwellings.

Per hour 07/01/2019
Tile/Marble/Terazzo

Setter	\$ 23.80
Finisher	19.08

SUPPLEMENTAL BENEFITS

Per hour worked

Journeyman Setter \$ 8.15
Journeyman Finisher 8.03

OVERTIME PAY

See (B, E, Q) on OVERTIME PAGE

HOLIDAY

Paid: See (1) on HOLIDAY PAGE
Overtime: See (5, 6) on HOLIDAY PAGE

12-2TSFr

Operating Engineer - Residential

07/01/2019

JOB DESCRIPTION Operating Engineer - Residential

DISTRICT 1

ENTIRE COUNTIES

Albany, Clinton, Columbia, Essex, Franklin, Fulton, Greene, Hamilton, Herkimer, Montgomery, Otsego, Rensselaer, Saratoga, Schenectady, Schoharie, Warren, Washington

PARTIAL COUNTIES

Dutchess: Defined as north of the northern boundary line of City of Poughkeepsie then due east to Route 115 then north along Route 115 to Bedelt Road then east along Bedelt Road to VanWagner Road then north along VanWagner Road to Bower Road then east along Bower Road to Route 44 and along Route 44 east to Route 343 then along Route 343 east to the northern boundary of Town of Dover Plains and east along the northern boundary of Town of Dover Plains to Connecticut.

WAGES

IMPORTANT NOTE: Applies to all rehabilitation work on residential structures. "Rehabilitation" shall be defined to include all work, including demolition, repair and alteration on any existing structure which is intended for residential use. On new housing, applicable only to site construction of all new work done by the Employer on one family, two family, row housing and garden type homes or apartments which are not more than four (4) stories above ground level and are used as dwellings.

Per hour

07/01/2019

Journeyman
All Clasifications 40.27

SUPPLEMENTAL BENEFITS

Per hour

Journeyman
All Classifications 20.42

OVERTIME PAY

See (B, E2, *H) on OVERTIME PAGE

*If Labor Day is worked, the rate of pay shall be at double time rate.

HOLIDAY

Paid: See (1) on HOLIDAY PAGE
Overtime: See (5, 6) on HOLIDAY PAGE

1-158r Alb

Plumber - Residential

07/01/2019

JOB DESCRIPTION Plumber - Residential

DISTRICT 1

ENTIRE COUNTIES

Essex, Franklin

PARTIAL COUNTIES

Hamilton: The Townships of Long Lake and Indian Lake

WAGES

IMPORTANT NOTE: Applicable solely to new construction of up to, and including apartments with three floors of living accommodations with a maximum of 24 apartments per building, new houses, and repair and maintenance of old residential housing and the above. Also covers all plumbing in connection with sewers and water mains on highways, streets and roadways up to five (5) feet from any building when the residential rate applies.

Per hour

07/01/2019

Plumber &
Steamfitter \$ 34.50

SUPPLEMENTAL BENEFITS

Per hour

Journeyman \$ 20.55
+ 10.43*

* This portion of the benefit is subject to the SAME PREMIUM as shown for overtime.

* This portion per hour paid.

OVERTIME PAY

See (B2, Q) on OVERTIME PAGE

HOLIDAY

Paid: See (22) on HOLIDAY PAGE

Overtime: See (5, 6, 16, 23) on HOLIDAY PAGE

Note: Whenever a Holiday falls on a Saturday, the preceding day, Friday, shall be observed as the Holiday. If a Holiday falls on a Sunday, the following day, Monday shall be observed as the Holiday.

REGISTERED APPRENTICES

Wages per hour

One year terms at the following percentage of Journeyman's wage

1st yr 50%
2nd yr 60%
3rd yr 70%
4th yr 80%
5th yr 90%

Supplemental Benefits per hour worked

1st yr \$ 17.63 + 5.22*
2nd yr 18.21 + 6.26*
3rd yr 18.80 + 7.30*
4th yr 19.38 + 8.34*
5th yr 19.97 + 9.39*

* This portion of the benefit is subject to the SAME PREMIUM as shown for overtime.

* This portion per hour paid.

1-773rEF-SF

Sprinkler Fitter - Residential

07/01/2019

JOB DESCRIPTION Sprinkler Fitter - Residential

DISTRICT 1

ENTIRE COUNTIES

Allegany, Broome, Cattaraugus, Cayuga, Chautauqua, Chemung, Chenango, Clinton, Columbia, Cortland, Delaware, Erie, Essex, Franklin, Fulton, Genesee, Greene, Hamilton, Herkimer, Jefferson, Lewis, Livingston, Madison, Monroe, Montgomery, Niagara, Oneida, Onondaga, Ontario, Orleans, Oswego, Otsego, Schoharie, Schuyler, Seneca, St. Lawrence, Steuben, Tioga, Tompkins, Washington, Wayne, Wyoming, Yates

WAGES

IMPORTANT NOTE: "Residential fire protection work" is applicable to one or two family dwellings, all multiple family dwelling units which are permitted to have a single exterior up to and including four stories, townhouses with units stacked vertically up to and including four stories and group residential care facilities and protective care homes (sheltered housing), not to include nursing homes or ambulatory care facilities.

Per hour

07/01/2019

Sprinkler \$ 26.18
Fitter

SUPPLEMENTAL BENEFITS

Per hour

Journeyman \$ 24.93

OVERTIME PAY

See (B, H) on OVERTIME PAGE

HOLIDAY

Paid: See (1) on HOLIDAY PAGE
Overtime: See (5, 6) on HOLIDAY PAGE

Note: When a holiday falls on Sunday, the following Monday shall be considered a holiday and all work performed on either day shall be at the double time rate. When a holiday falls on Saturday, the preceding Friday shall be considered a holiday and all work performed on either day shall be at the double time rate.

1-669r

Overtime Codes

Following is an explanation of the code(s) listed in the OVERTIME section of each classification contained in the attached schedule. Additional requirements may also be listed in the HOLIDAY section.

NOTE: Supplemental Benefits are 'Per hour worked' (for each hour worked) unless otherwise noted

- (AA) Time and one half of the hourly rate after 7 and one half hours per day
- (A) Time and one half of the hourly rate after 7 hours per day
- (B) Time and one half of the hourly rate after 8 hours per day
- (B1) Time and one half of the hourly rate for the 9th & 10th hours week days and the 1st 8 hours on Saturday.
Double the hourly rate for all additional hours
- (B2) Time and one half of the hourly rate after 40 hours per week
- (C) Double the hourly rate after 7 hours per day
- (C1) Double the hourly rate after 7 and one half hours per day
- (D) Double the hourly rate after 8 hours per day
- (D1) Double the hourly rate after 9 hours per day
- (E) Time and one half of the hourly rate on Saturday
- (E1) Time and one half 1st 4 hours on Saturday; Double the hourly rate all additional Saturday hours
- (E2) Saturday may be used as a make-up day at straight time when a day is lost during that week due to inclement weather
- (E3) Between November 1st and March 3rd Saturday may be used as a make-up day at straight time when a day is lost during that week due to inclement weather, provided a given employee has worked between 16 and 32 hours that week
- (E4) Saturday and Sunday may be used as a make-up day at straight time when a day is lost during that week due to inclement weather
- (E5) Double time after 8 hours on Saturdays
- (F) Time and one half of the hourly rate on Saturday and Sunday
- (G) Time and one half of the hourly rate on Saturday and Holidays
- (H) Time and one half of the hourly rate on Saturday, Sunday, and Holidays
- (I) Time and one half of the hourly rate on Sunday
- (J) Time and one half of the hourly rate on Sunday and Holidays
- (K) Time and one half of the hourly rate on Holidays
- (L) Double the hourly rate on Saturday
- (M) Double the hourly rate on Saturday and Sunday
- (N) Double the hourly rate on Saturday and Holidays
- (O) Double the hourly rate on Saturday, Sunday, and Holidays
- (P) Double the hourly rate on Sunday
- (Q) Double the hourly rate on Sunday and Holidays
- (R) Double the hourly rate on Holidays
- (S) Two and one half times the hourly rate for Holidays

- (S1) Two and one half times the hourly rate the first 8 hours on Sunday or Holidays One and one half times the hourly rate all additional hours.
- (T) Triple the hourly rate for Holidays
- (U) Four times the hourly rate for Holidays
- (V) Including benefits at SAME PREMIUM as shown for overtime
- (W) Time and one half for benefits on all overtime hours.
- (X) Benefits payable on Paid Holiday at straight time. If worked, additional benefit amount will be required for worked hours. (Refer to other codes listed.)

Holiday Codes

PAID Holidays:

Paid Holidays are days for which an eligible employee receives a regular day's pay, but is not required to perform work. If an employee works on a day listed as a paid holiday, this remuneration is in addition to payment of the required prevailing rate for the work actually performed.

OVERTIME Holiday Pay:

Overtime holiday pay is the premium pay that is required for work performed on specified holidays. It is only required where the employee actually performs work on such holidays. The applicable holidays are listed under HOLIDAYS: OVERTIME. The required rate of pay for these covered holidays can be found in the OVERTIME PAY section listings for each classification.

Following is an explanation of the code(s) listed in the HOLIDAY section of each classification contained in the attached schedule. The Holidays as listed below are to be paid at the wage rates at which the employee is normally classified.

- (1) None
- (2) Labor Day
- (3) Memorial Day and Labor Day
- (4) Memorial Day and July 4th
- (5) Memorial Day, July 4th, and Labor Day
- (6) New Year's, Thanksgiving, and Christmas
- (7) Lincoln's Birthday, Washington's Birthday, and Veterans Day
- (8) Good Friday
- (9) Lincoln's Birthday
- (10) Washington's Birthday
- (11) Columbus Day
- (12) Election Day
- (13) Presidential Election Day
- (14) 1/2 Day on Presidential Election Day
- (15) Veterans Day
- (16) Day after Thanksgiving
- (17) July 4th
- (18) 1/2 Day before Christmas
- (19) 1/2 Day before New Years
- (20) Thanksgiving
- (21) New Year's Day
- (22) Christmas
- (23) Day before Christmas
- (24) Day before New Year's
- (25) Presidents' Day
- (26) Martin Luther King, Jr. Day
- (27) Memorial Day
- (28) Easter Sunday